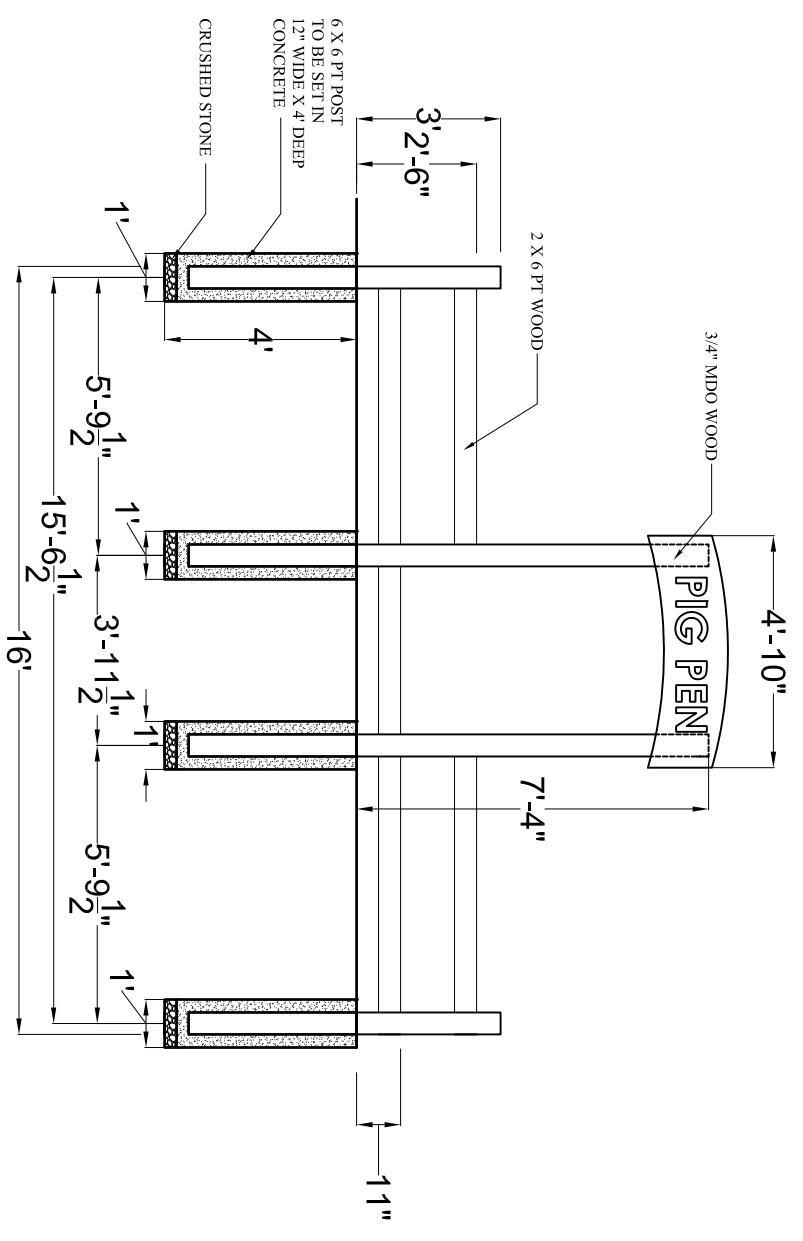
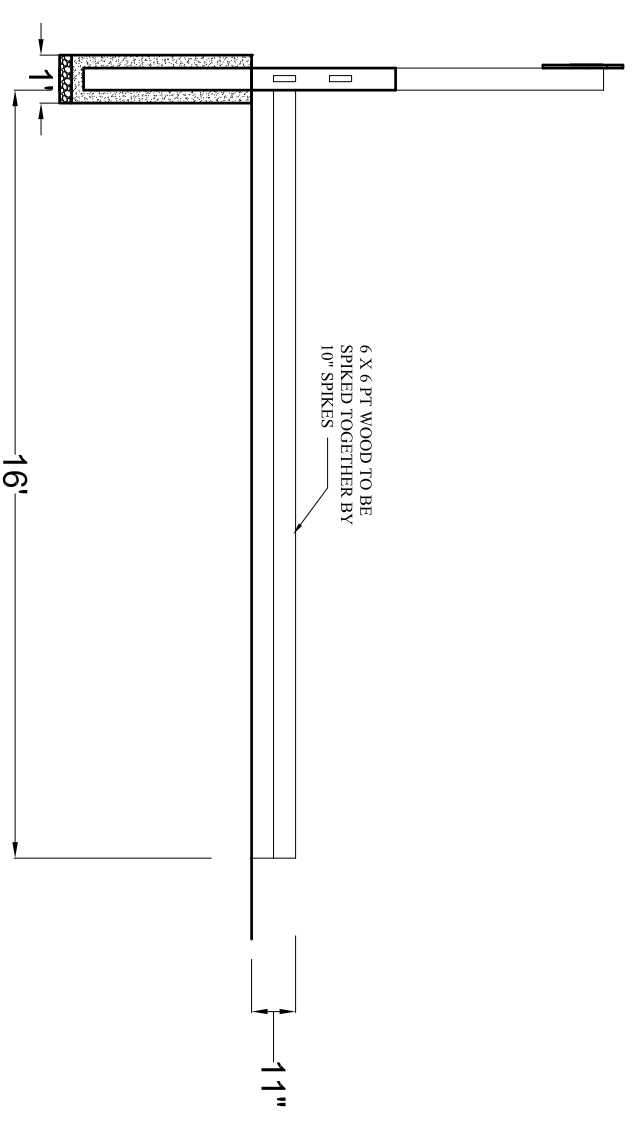



1 PLAN VIEW @ PIG PEN
SCALE 1/4" = 1'-0"

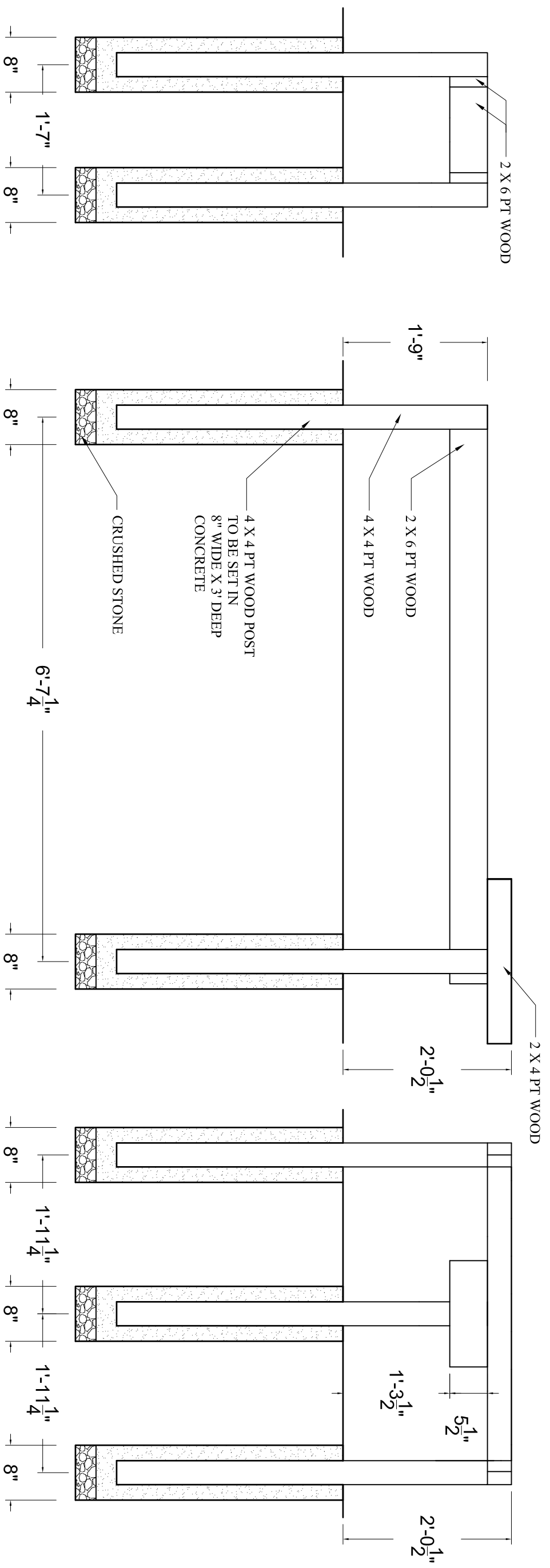


2 FRONT ELEVATION @ PIG PEN
SCALE 1/4" = 1'-0"



3 SIDE ELEVATION @ PIG PEN
SCALE 1/4" = 1'-0"

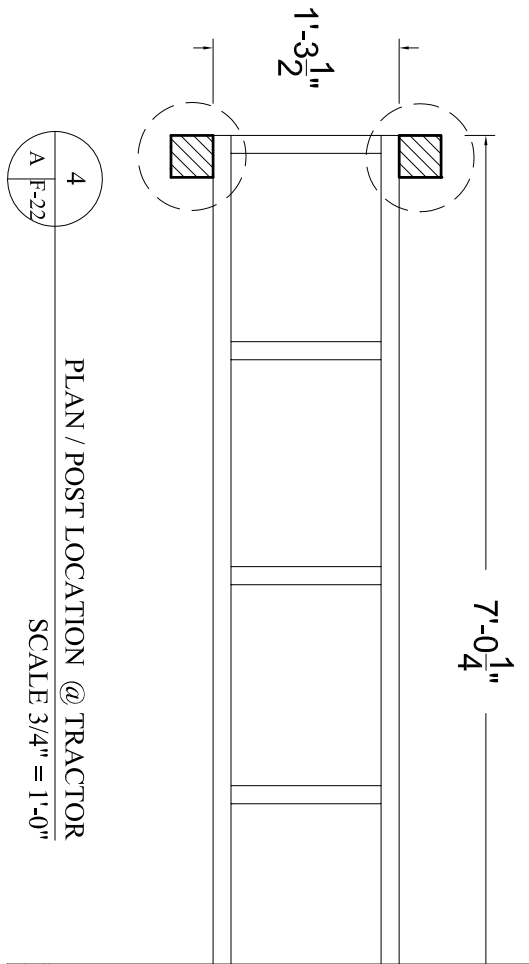
	REVISION DATE		CONTRACTORS MUST CHECK AND VERIFY ALL DIMENSION ON THE JOB AND REPORT ANY DISCREPANCY TO THE PROJECT MANAGER BEFORE PROCEEDING WITH THE WORK. DESIGNER TO BE NOTIFIED OF ANY DISCREPANCIES AND ERRORS. DO NOT SCALE DRAWING	DATE: SEPT. 27.13.	DRAWING #	
	1	ISSUED TO CONTRACTOR		SEPT. 27.13.	PREPARED BY: JK	F-21
					SCALE: AS SHOWN	
					TITLE: ELEVATION / PLAN VIEW @ WAUBUASCHENE / PIG PEN	



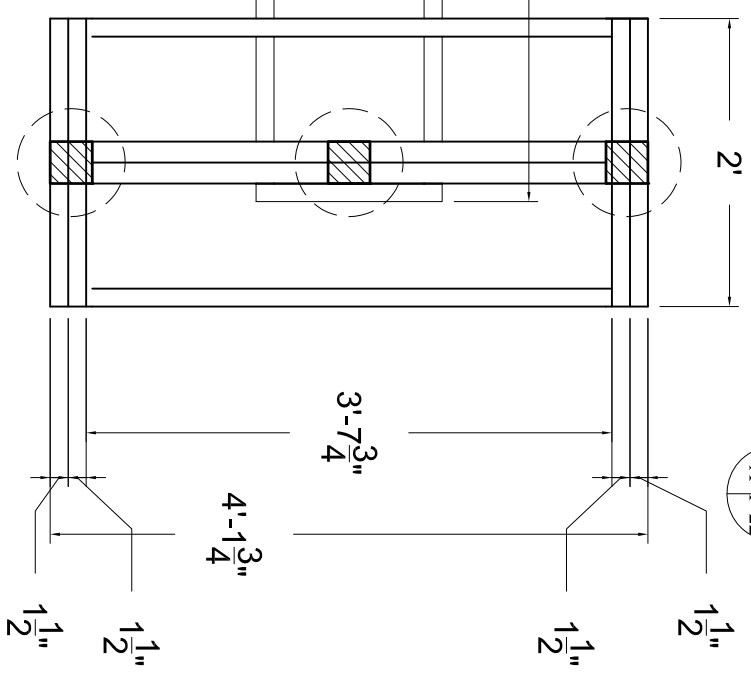
1 FRONT SECTION @ TRACTOR
SCALE 3/4" = 1'-0"

2 SIDE SECTION @ TRACTOR
SCALE 3/4" = 1'-0"



3 BACK SECTION @ TRACTOR
SCALE 3/4" = 1'-0"

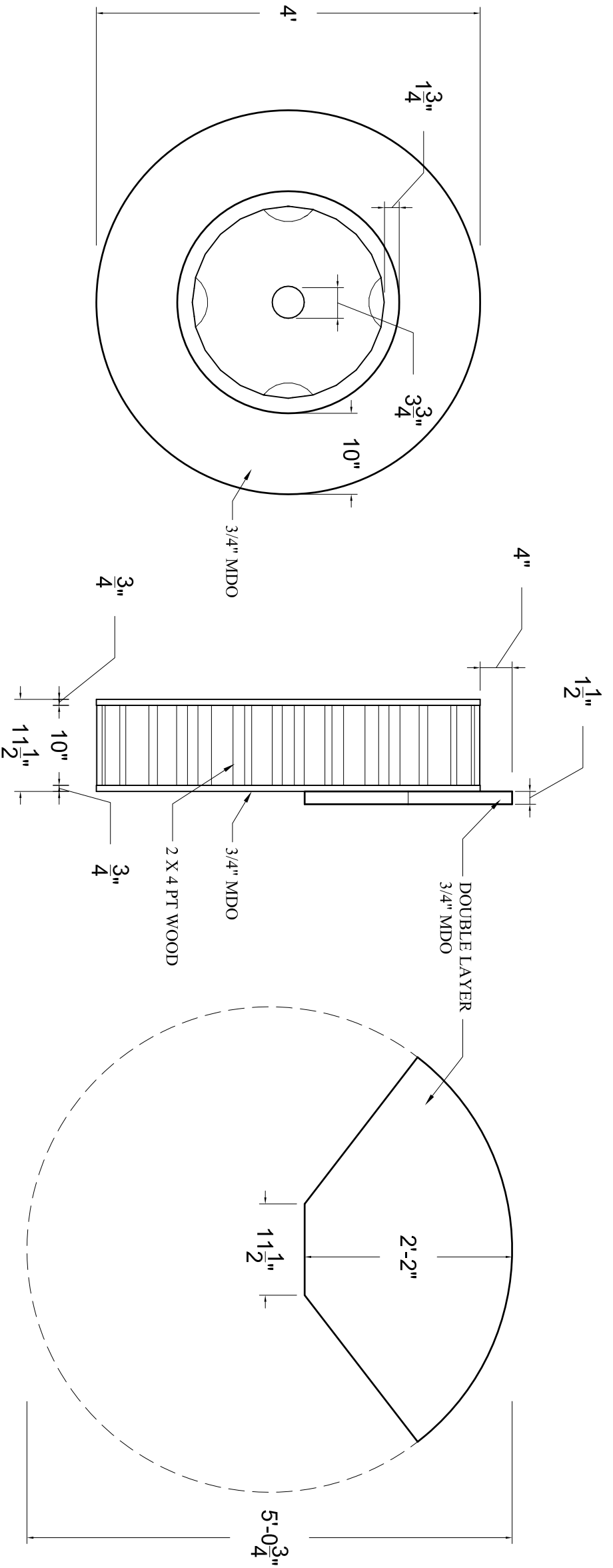


4 PLAN / POST LOCATION @ TRACTOR
SCALE 3/4" = 1'-0"



3 BACK SECTION @ TRACTOR
SCALE 3/4" = 1'-0"

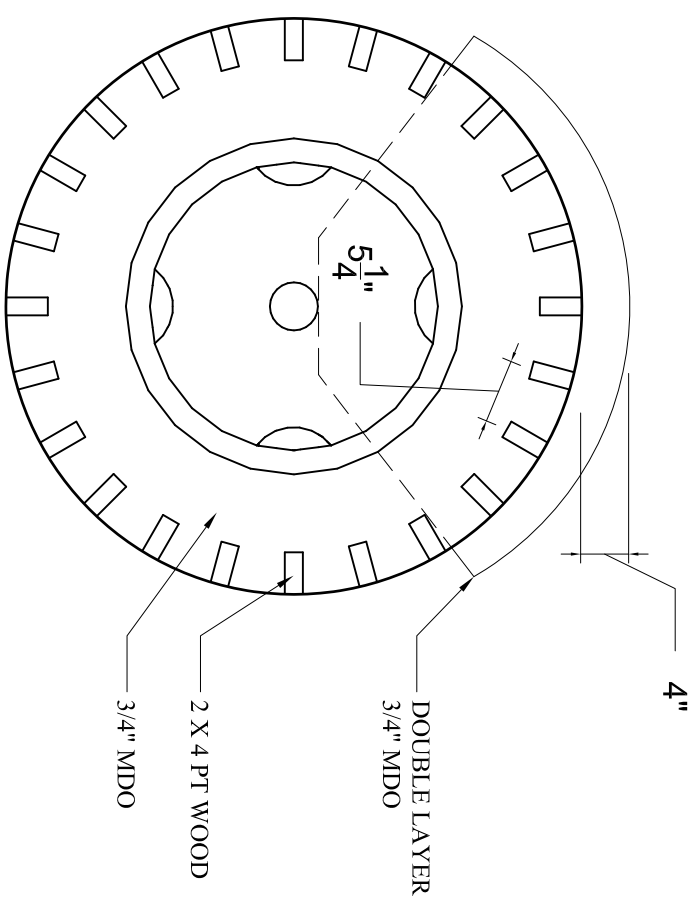
	REVISION DATE	CONTRACTORS MUST CHECK AND VERIFY ALL DIMENSION ON THE JOB AND REPORT ANY DISCREPANCY TO THE PROJECT MANAGER BEFORE PROCEEDING WITH THE WORK.	DATE: SEPT. 26.13.	DRAWING #
	1 ISSUED TO CONTRACTOR SEPT.26.13.	DESIGNER TO BE NOTIFIED OF ANY DISCREPANCIES AND ERRORS.	PREPARED BY: JK	F-22A
		DO NOT SCALE DRAWING	SCALE: AS SHOWN	
			TITLE: SITE PLAN / PLAN VIEW @ WAUBUASCHENE / TRACTOR	
				



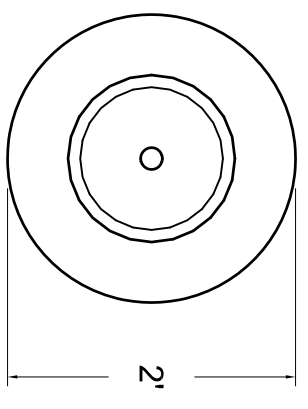
1 SIDE ELEVATION @ TRACTOR WHEEL
BACK WHEEL SCALE 3/4" = 1'-0"

2 FRONT ELEVATION @ TRACTOR WHEEL
BACK WHEEL SCALE 3/4" = 1'-0"

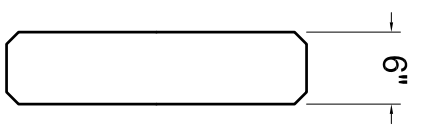
3 ELEVATION @ TRACTOR WHEEL FENDER
BACK WHEEL SCALE 3/4" = 1'-0"



4 SECTION ELEVATION @ TRACTOR WHEEL
BACK WHEEL SCALE 3/4" = 1'-0"

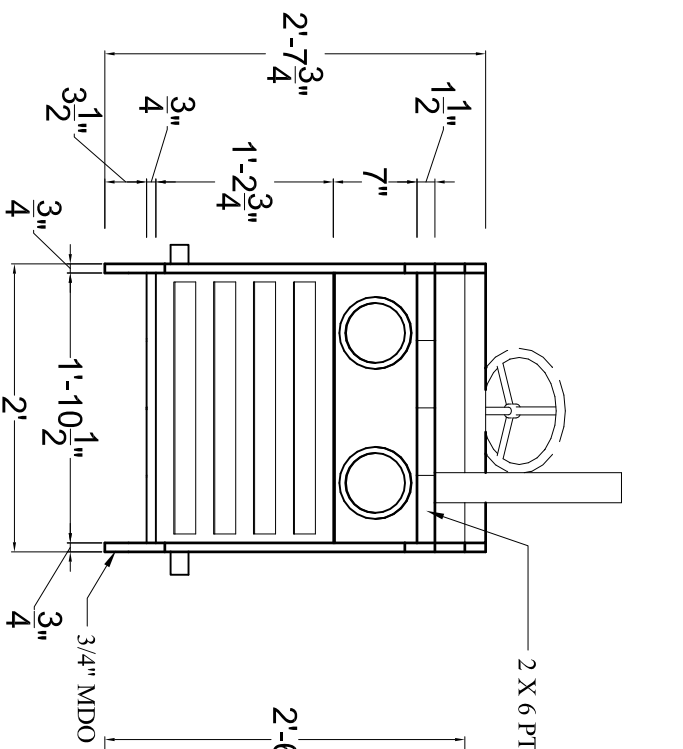


5 SIDE ELEVATION @ TRACTOR WHEEL
FRONT WHEEL SCALE 3/4" = 1'-0"

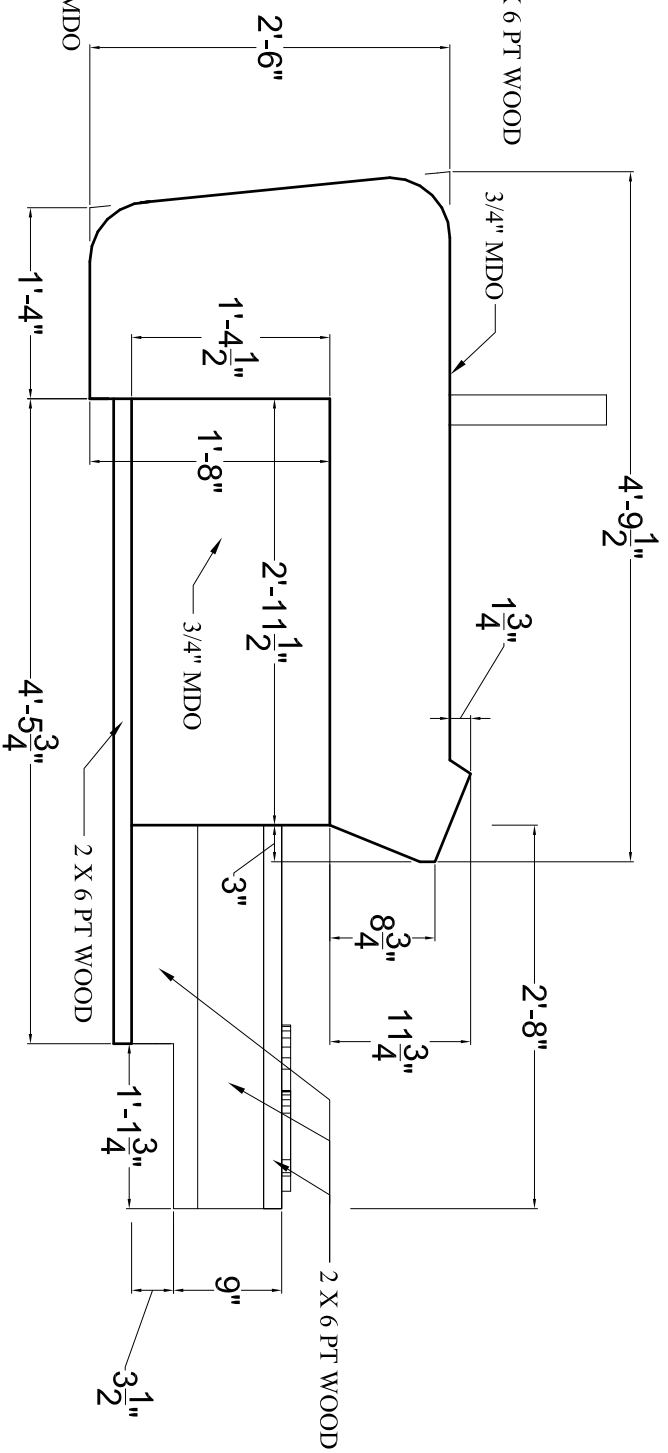


6 FRONT ELEVATION @ TRACTOR WHEEL
FRONT WHEEL SCALE 3/4" = 1'-0"

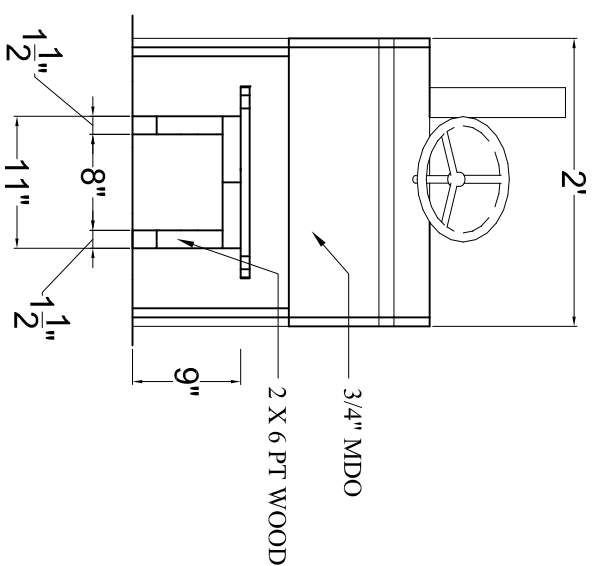
	REVISION DATE	CONTRACTORS MUST CHECK AND VERIFY ALL DIMENSION ON THE JOB AND REPORT ANY DISCREPANCY TO THE PROJECT MANAGER BEFORE PROCEEDING WITH THE WORK.	DATE: SEPT. 26.13.	DRAWING #
	1 ISSUED TO CONTRACTOR SEPT.26.13.	DESIGNER TO BE NOTIFIED OF ANY DISCREPANCIES AND ERRORS.	PREPARED BY: JK	F-22B
	DO NOT SCALE DRAWING	SCALE: AS SHOWN	TITLE: ELEVATION / SECTION @ WAUBUASCHENE / TRACTOR	



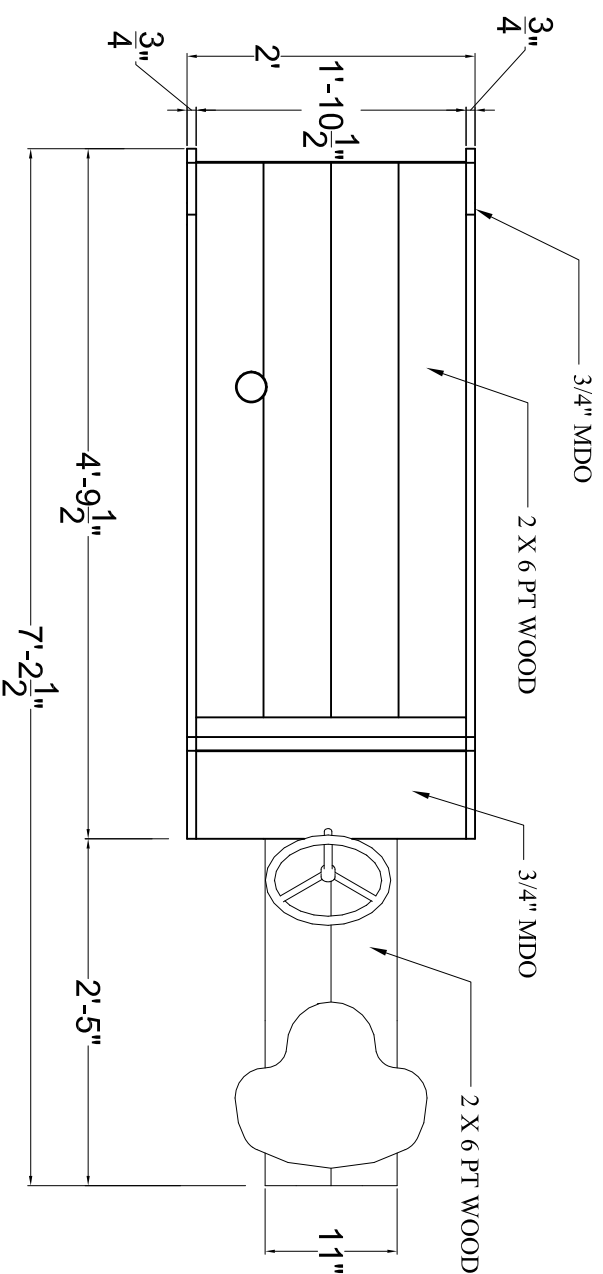
1 FRONT ELEVATION @ TRACTOR SEAT
SCALE 3/4" = 1'-0"



2 SIDE ELEVATION @ TRACTOR SEAT
SCALE 3/4" = 1'-0"



3 BACK ELEVATION @ TRACTOR SEAT
SCALE 3/4" = 1'-0"



4 PLAN VIEW @ TRACTOR SEAT
SCALE 3/4" = 1'-0"

DRAWING #

F-22C

DATE:

SEPT. 26.13.

PREPARED BY:

JK

SCALE:

AS SHOWN

TITLE:

ELEVATION / PLAN VIEW
@ WAUBUASCHENE
/ TRACTOR SEAT

REVISION DATE

NO.	DESCRIPTION	DATE
1	ISSUED TO CONTRACTOR	SEPT. 26.13.

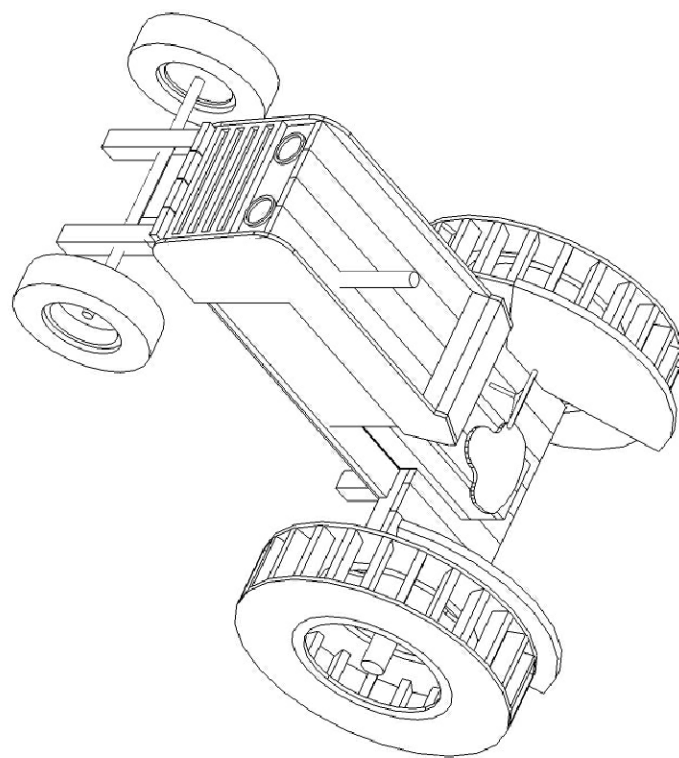
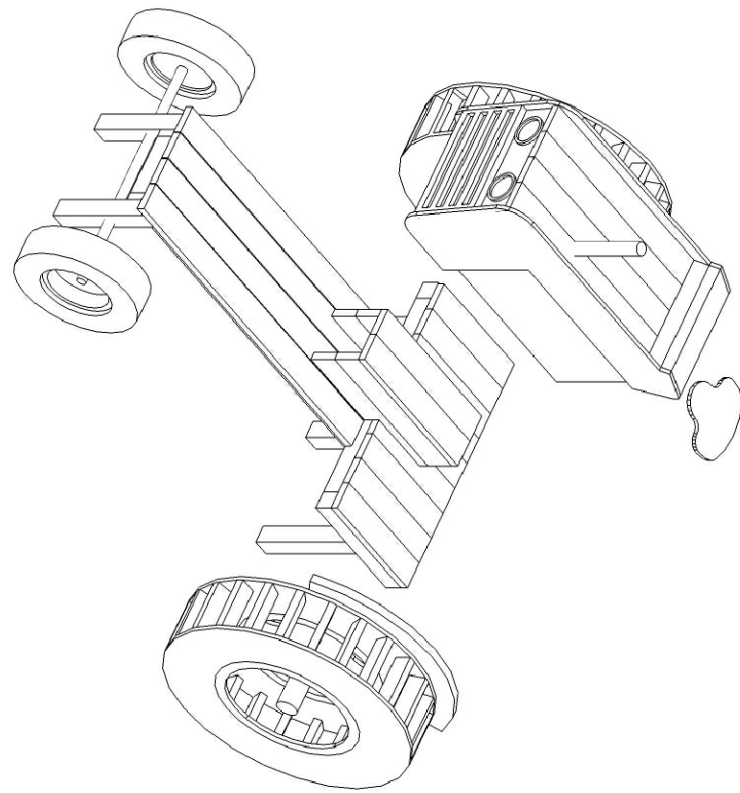
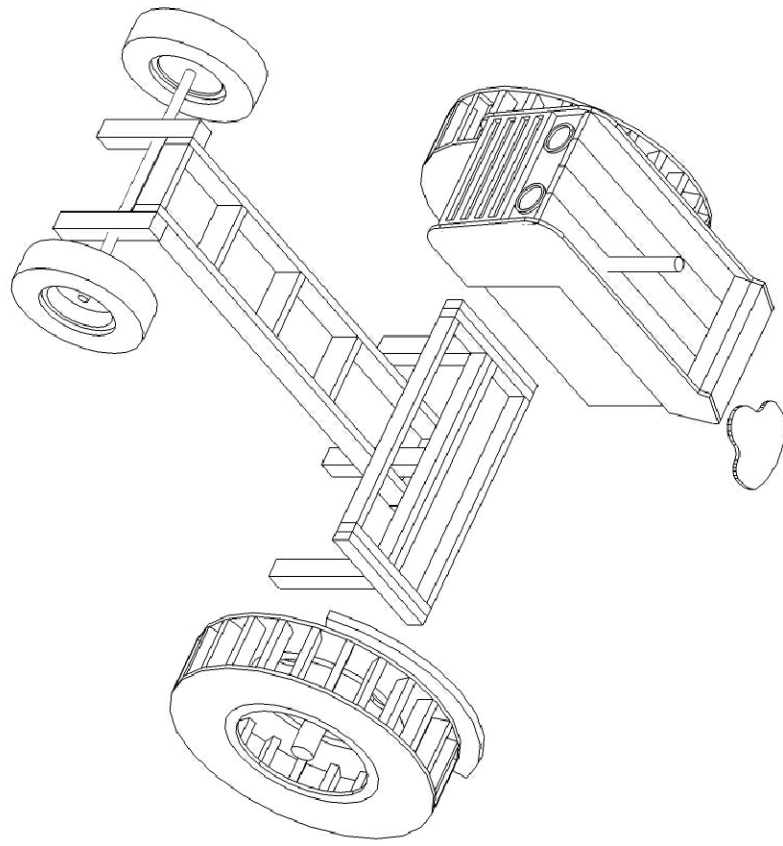
CONTRACTORS MUST CHECK AND VERIFY ALL DIMENSION ON THE JOB AND REPORT ANY DISCREPANCY TO THE PROJECT MANAGER BEFORE PROCEEDING WITH THE WORK.

DESIGNER TO BE NOTIFIED OF ANY DISCREPANCIES AND ERRORS.

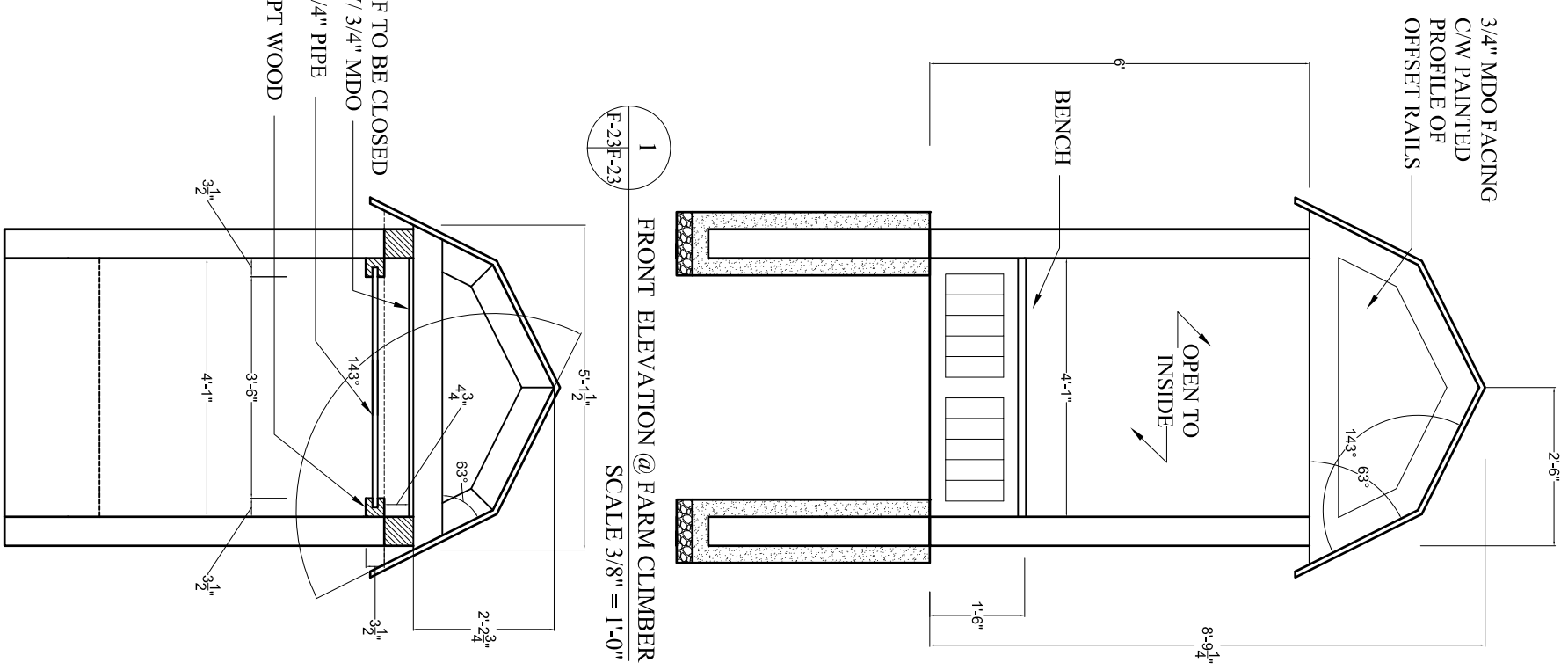
DO NOT SCALE DRAWING



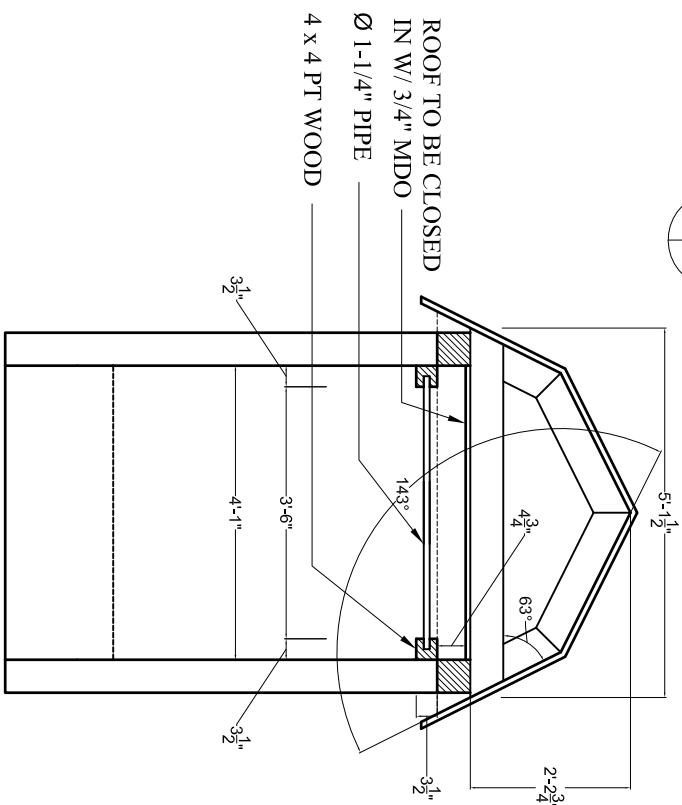
CC
OO
CC



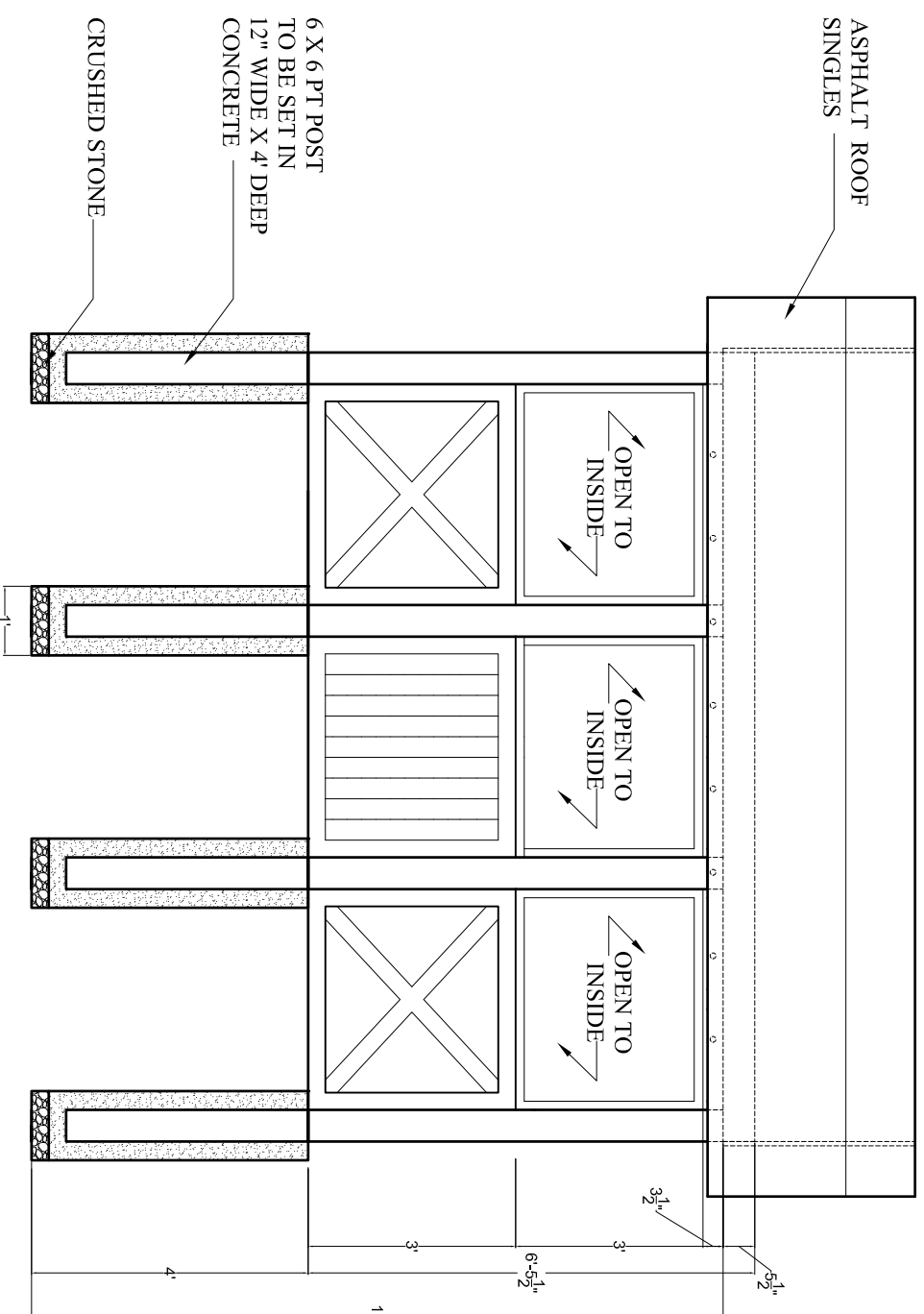
		REVISION DATE		CONTRACTORS MUST CHECK AND VERIFY ALL DIMENSION ON THE JOB AND REPORT ANY DISCREPANCY TO THE PROJECT MANAGER BEFORE PROCEEDING WITH THE WORK. DESIGNER TO BE NOTIFIED OF ANY DISCREPANCIES AND ERRORS. DO NOT SCALE DRAWING	DATE: SEPT. 26.13.	DRAWING #	
		1	ISSUED TO CONTRACTOR		SEPT.26.13.	PREPARED BY: JK	<h1>F-22D</h1>
						SCALE: AS SHOWN	
						TITLE: PERSPECTIVE @ WAUBUASCHENE / TRACTOR	



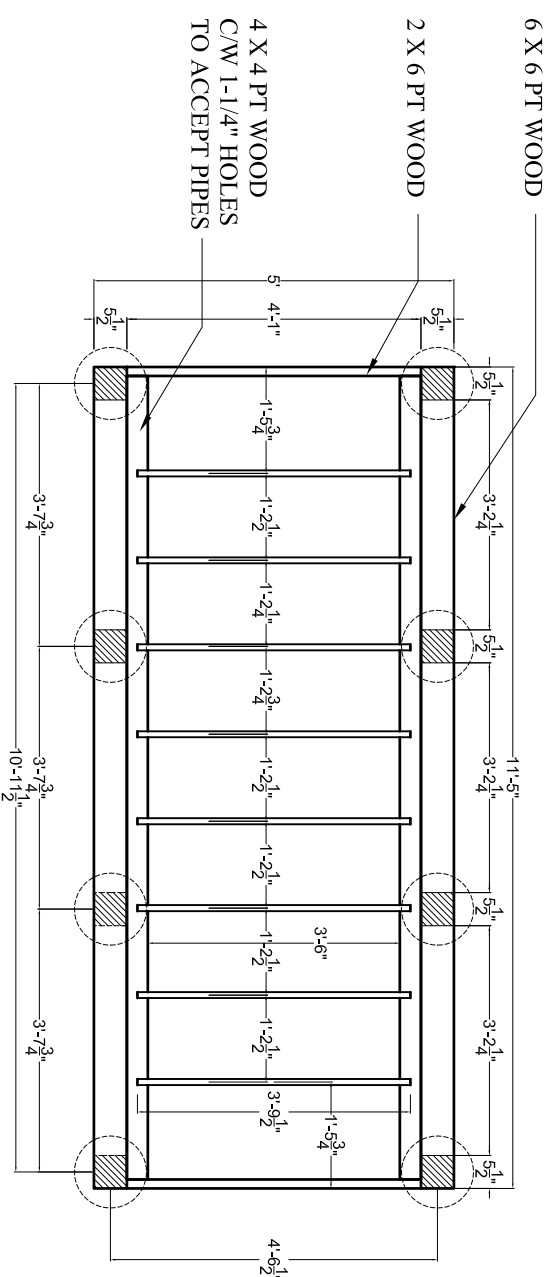
1 FRONT ELEVATION @ FARM CLIMBER
SCALE 3/8" = 1'-0"



3 SECTION @ FARM CLIMBER
SCALE 3/8" = 1'-0"



2 SIDE ELEVATION @ FARM CLIMBER
SCALE 3/8" = 1'-0"



4 PLAN VIEW @ FARM CLIMBER
SCALE 3/8" = 1'-0"

DRAWING #

F-23

DATE: SEPT. 27.13.

PREPARED BY: JK

SCALE: AS SHOWN

TITLE: SECTION / ELEVATION / PLAN VIEW @ WAUBUASCHENE / FARM CLIMBER

CONTRACTORS MUST CHECK AND VERIFY ALL DIMENSION ON THE JOB AND REPORT ANY DISCREPANCY TO THE PROJECT MANAGER BEFORE PROCEEDING WITH THE WORK.

DESIGNER TO BE NOTIFIED OF ANY DISCREPANCIES AND ERRORS.

DO NOT SCALE DRAWING

REVISION DATE

1	ISSUED TO CONTRACTOR	SEPT. 27.13.

