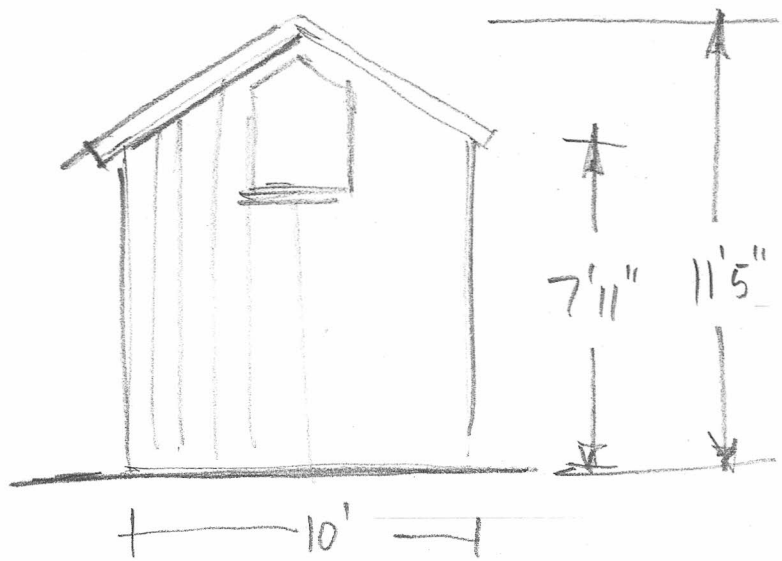


WANBAUSCHENE - CLIMBING WALL
ASSEMBLY SKETCH #1

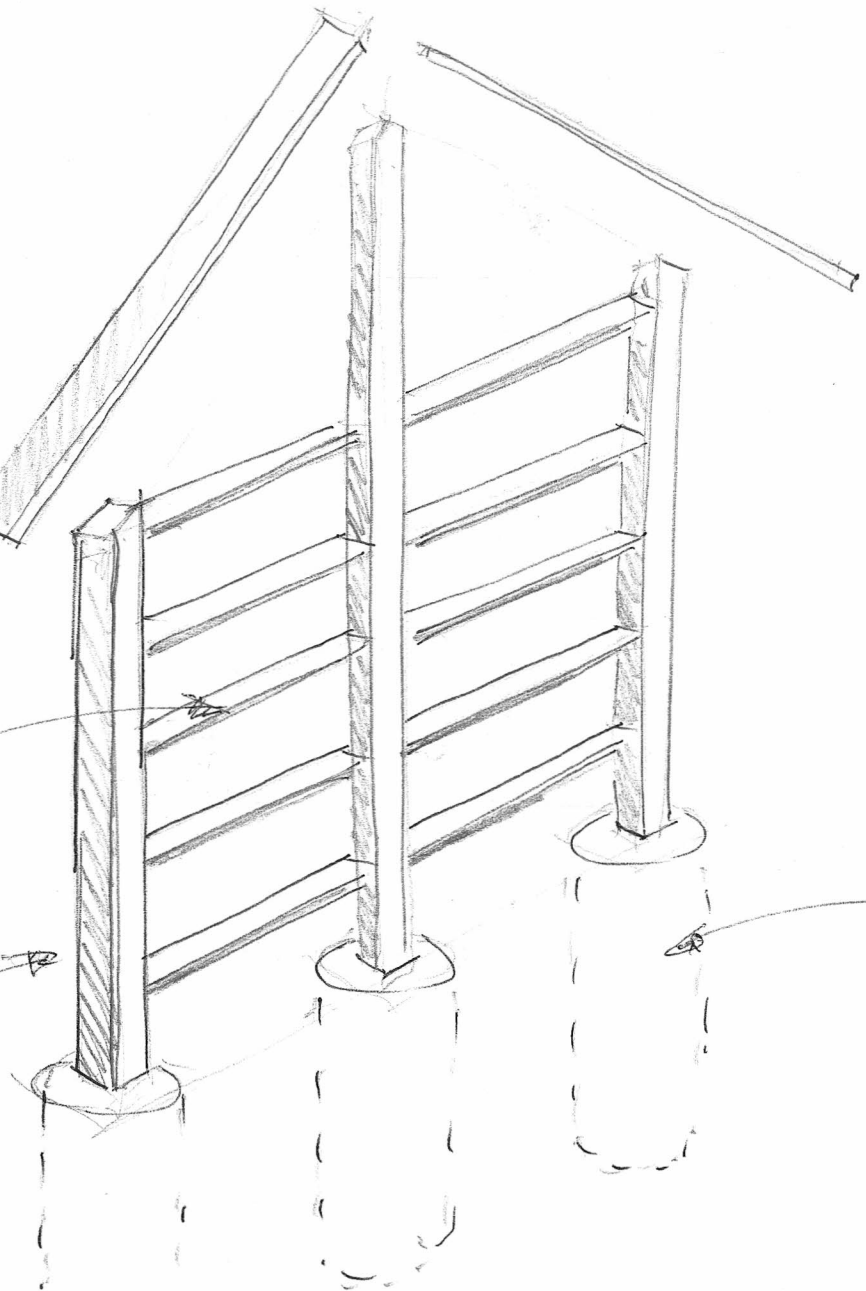


2x6 PEAK.

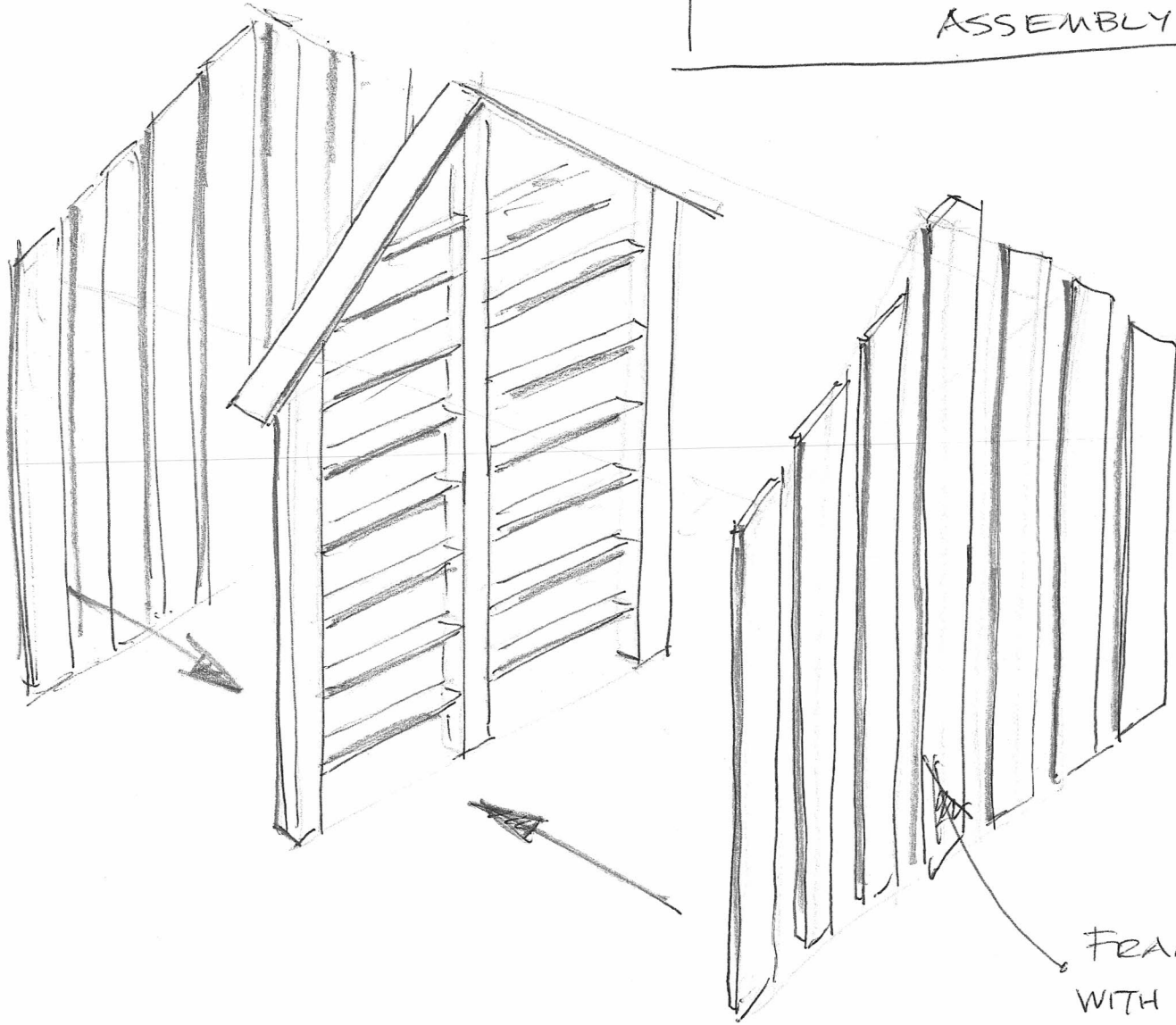
2x6 FRAMING ON
16" CENTRES.

3x 6x6 POSTS
BURIED IN CONCRETE

3 x \varnothing 12"
x 48"



WAUBAUSCHENE - CLIMING WALL
ASSEMBLY SKETCH # 2

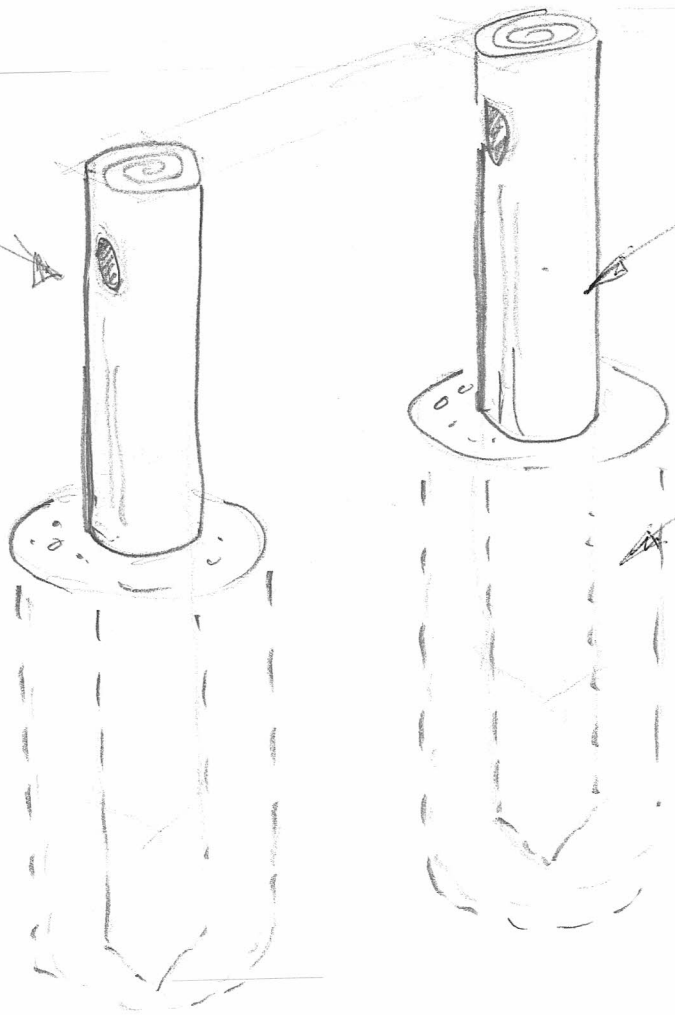


* WINDOW TO BE CUT OUT
AFTER ASSEMBLY

FRAMING TO BE CLAD
WITH RE-CLAIMED BARN
BOARD OR. AGED P.T.
FENCE BOARDS.
(BOTH SIDES).

WANBAUSCHENE - LOG TEEDER TODDER
ASSEMBLY DRAWING # 1

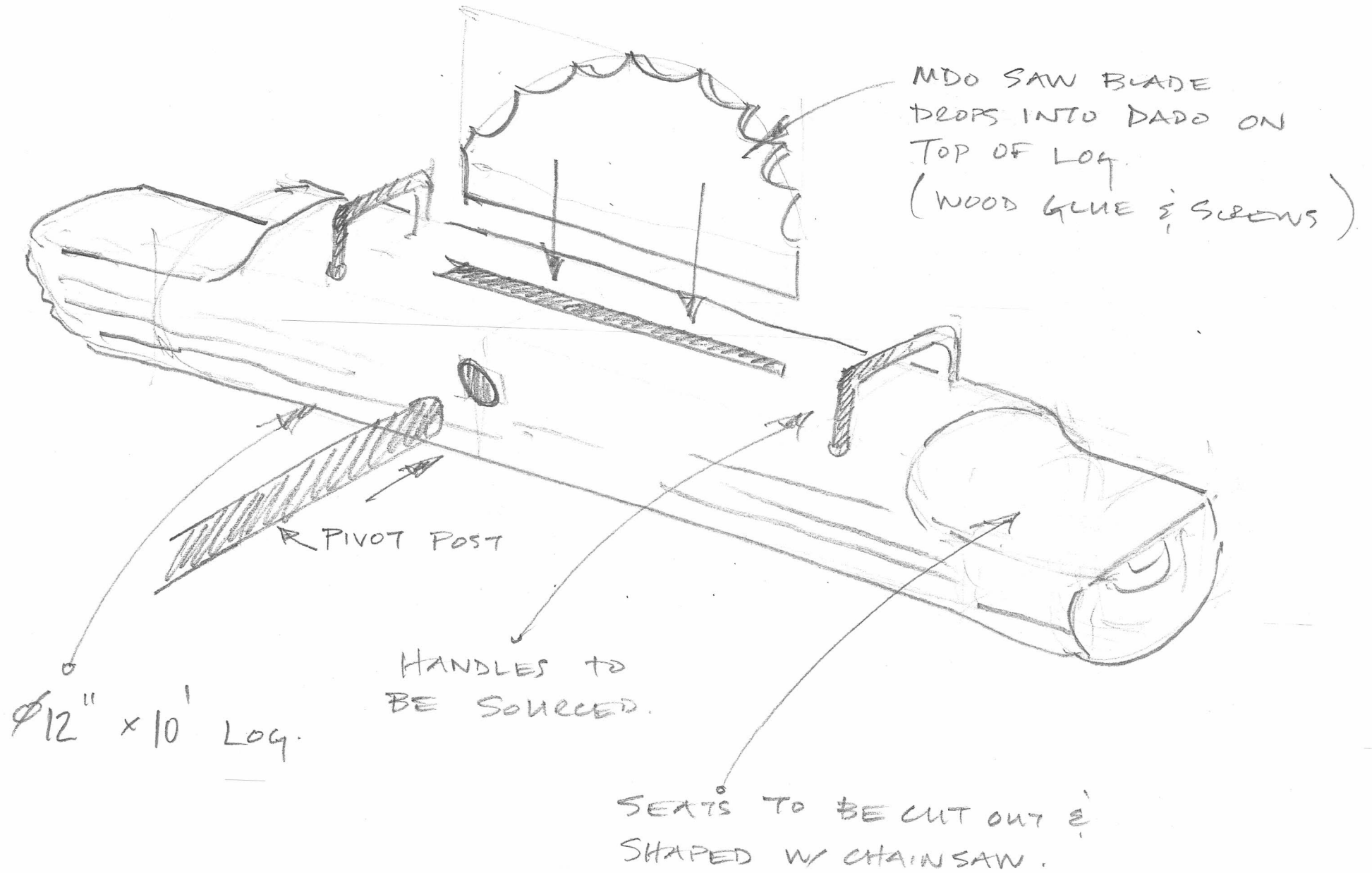
ϕ 2 1/2" HOLES.



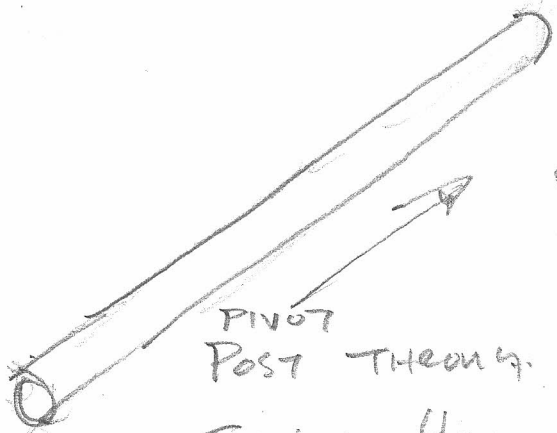
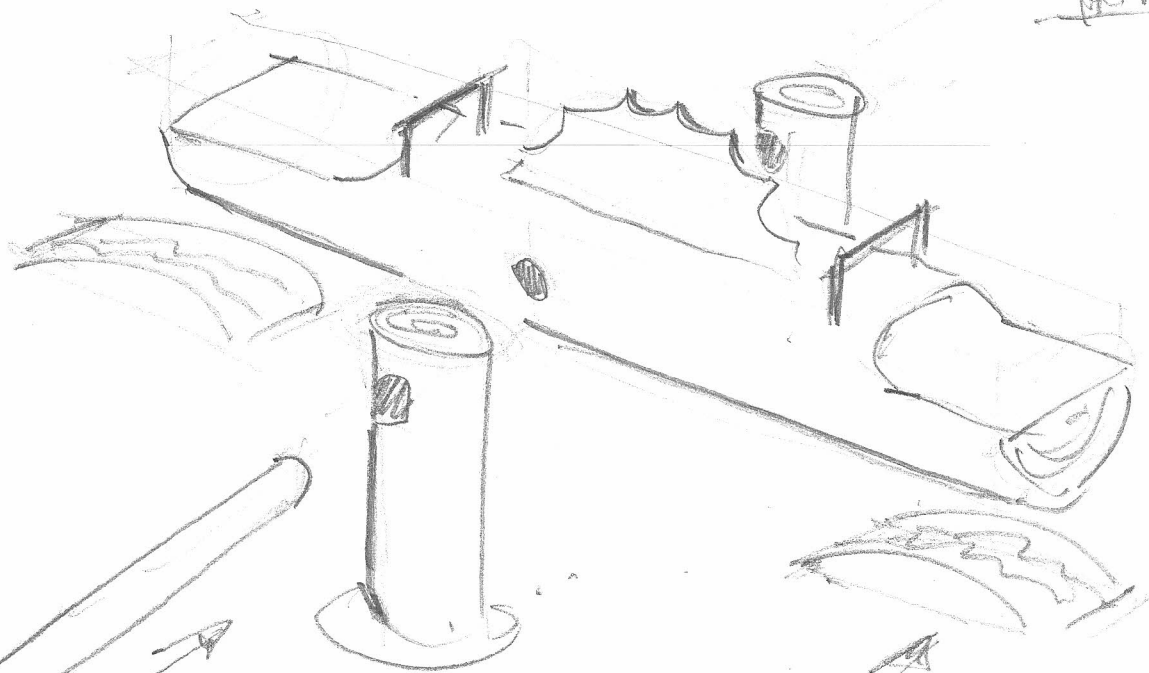
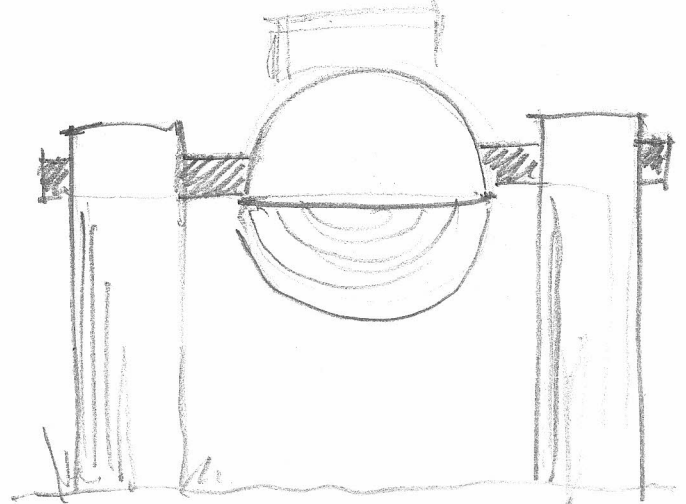
ϕ 12" LOGS OR
HYDRO POLES.

ϕ 12" x 36" HOLE
w/ CONCRETE

WANBAUSCHENE - Log Teepee Toddler
ASSEMBLY DRAWING #2



WABAUSSCHENE - T.T.
ASSEMBLY #3



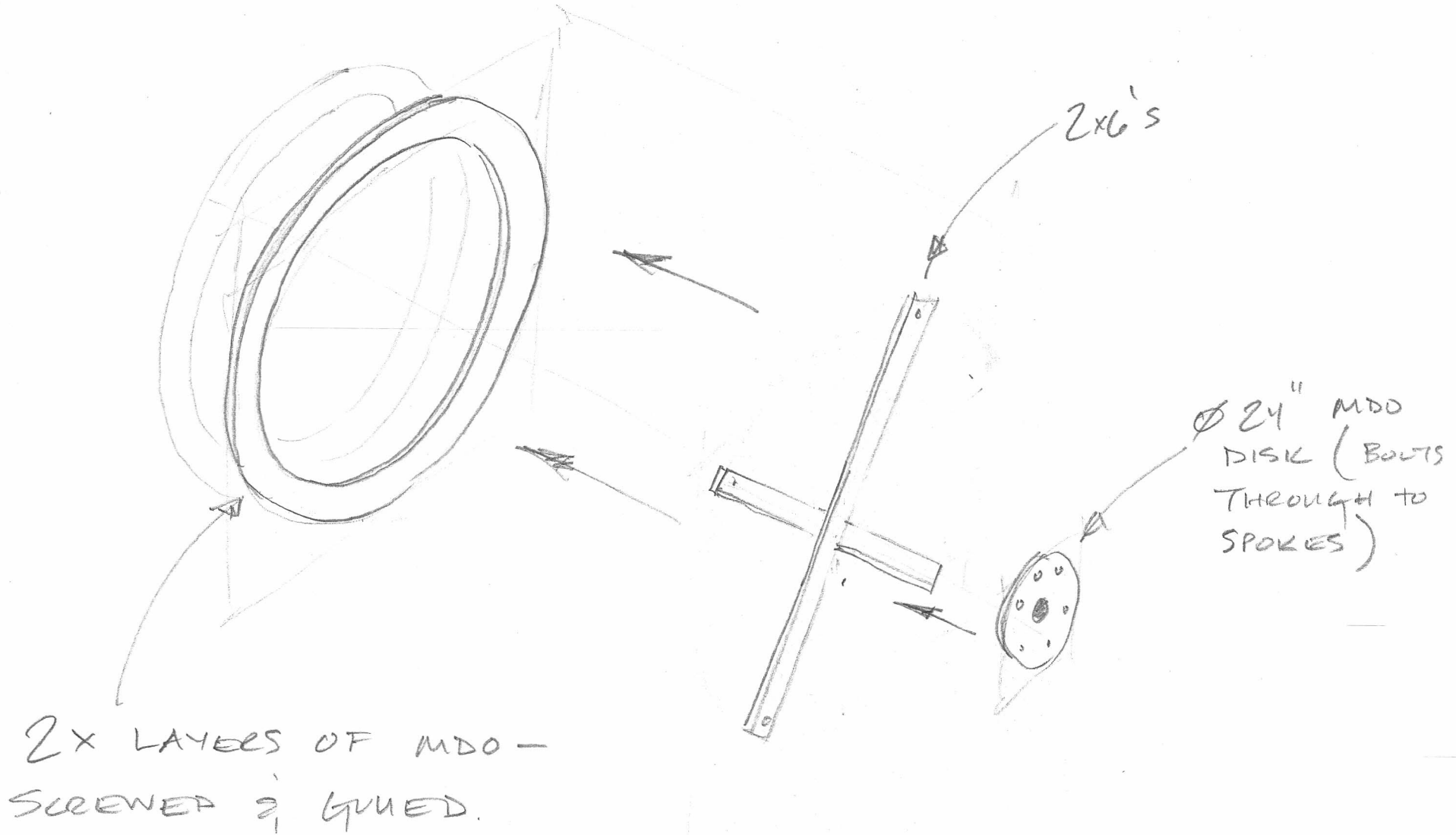
PIVOT
POST THEORY.

SCHEID. 40 GALV.
Ø 2"

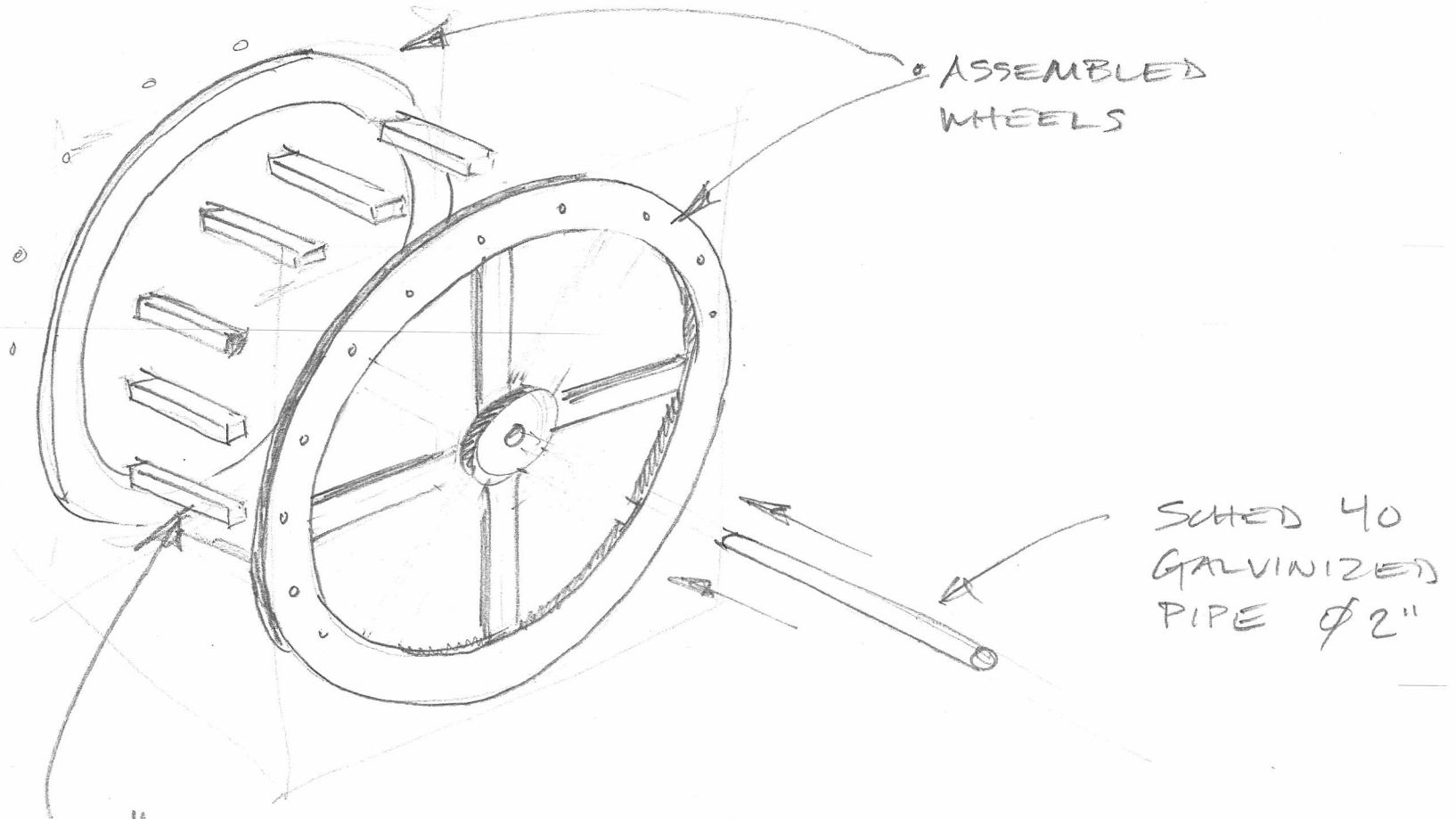


TIRES TO BE BURIED
AS BUMPERS.

WAUBAUSCHENE - WATER WHEEL
ASSEMBLY # 1



WAUBAUSCHENE - WATER WHEEL ASSEMBLY #2

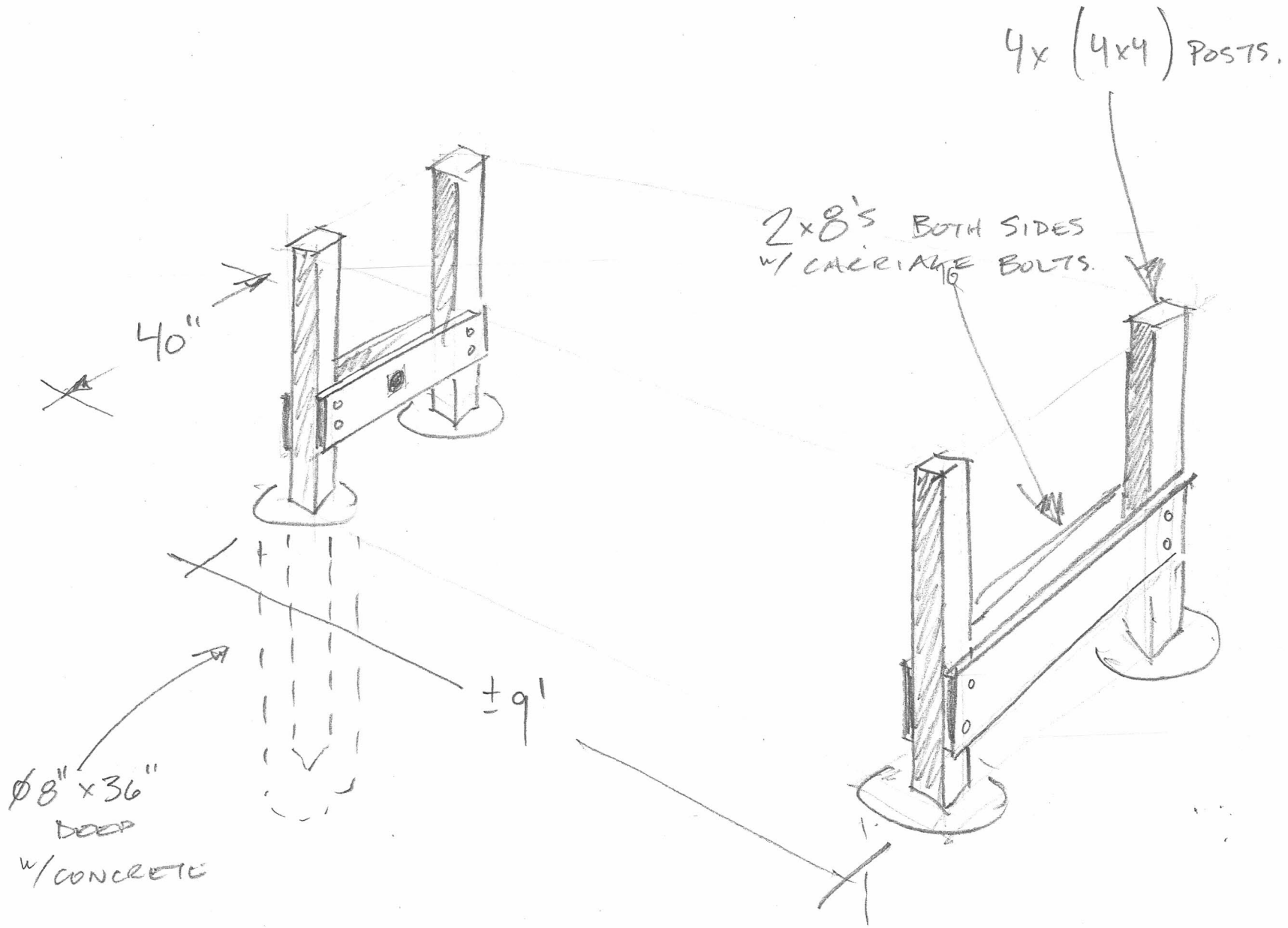


ASSEMBLED
WHEELS

SCHED 40
GALVANIZED
PIPE $\phi 2''$

$4 \times 4 \times 24''$ BLOCKS ARE
SANDWICHED BETWEEN
WHEELS - BOLTED THROUGH
THE FACE OF THE WHEEL.

WAUBANSCHENE - LOG ROLLER
ASSEMBLY SKETCH #1



WAUBANSCHENE - LOG ROLLER
ASSEMBLY SKETCH #2

