

166 1/4"

27 degree slope

7 1/2"

144"

96"

24"

48"

2"x8" PT RAFTER

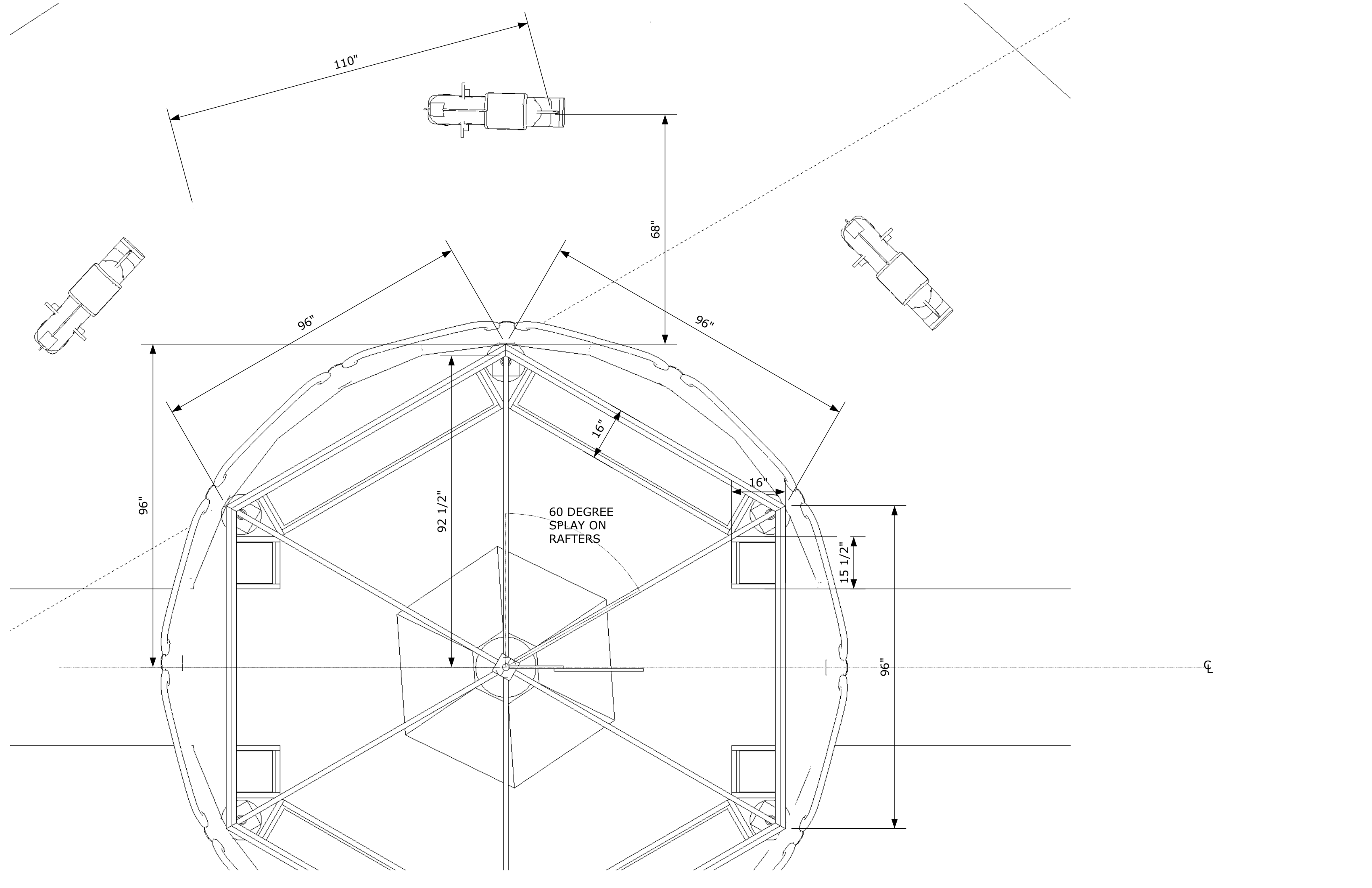
2"x8" PT GABLE FRAME

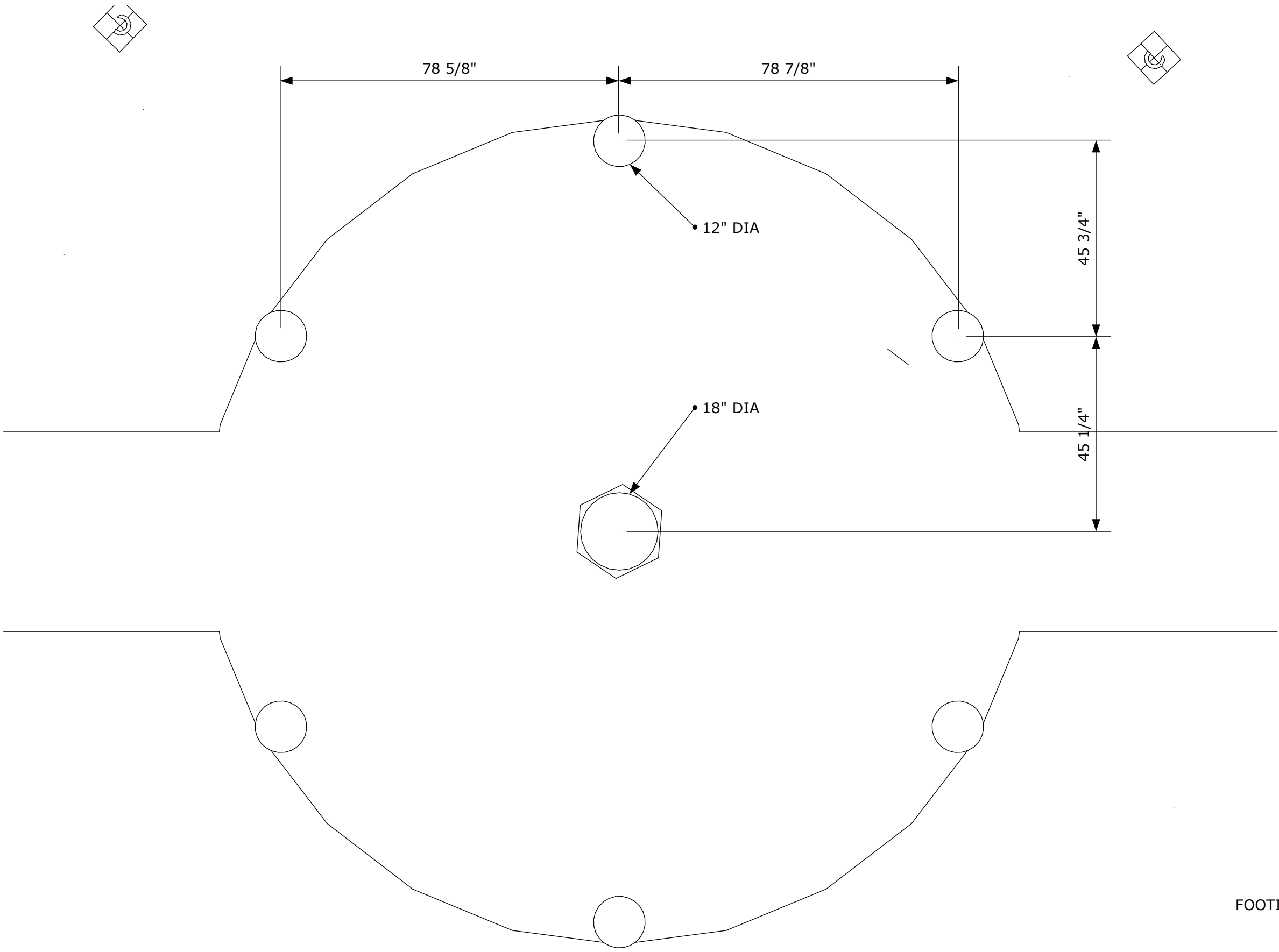
6"x6" PT CENTRE POST  
SET IN 18" DIA FOOTING  
MIN 48" DEEP

4"x4" PT POST  
PAINT FINISH  
SET IN 12" DIA FOOTING  
MIN 48" DEEP

SET PARK EQUIP AS PER  
MFG INSTRUCTIONS

CEDAR CONSTRUCTION PLANTER BOXES  
WATERPROOF SLEEVE REQUIRED  
INTERIOR TO BE OF 3/4" MDO  
24" HIGH BOXES





FOOTING PLAN