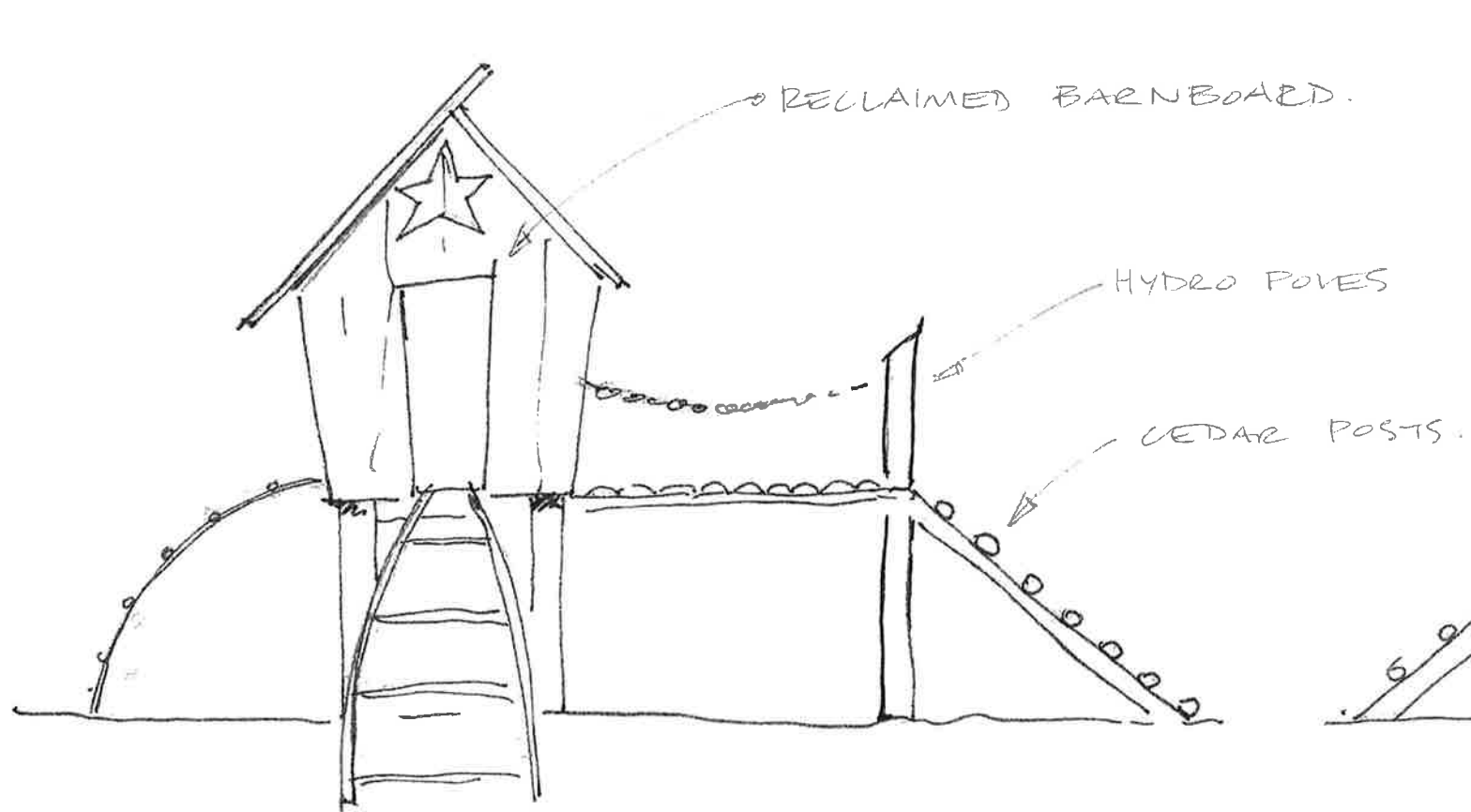
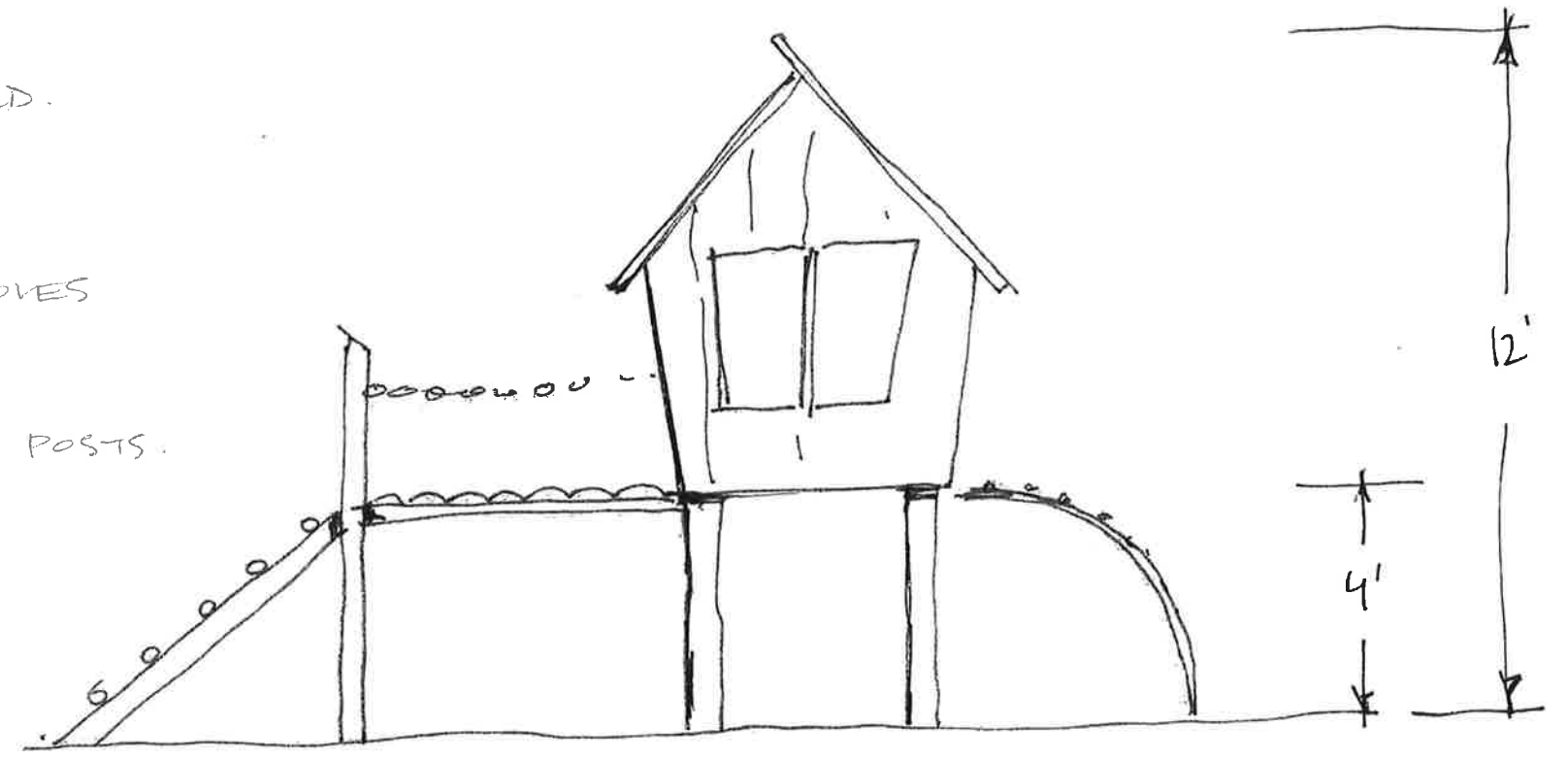
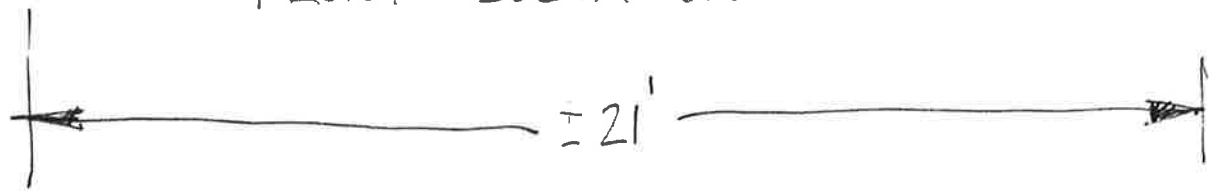


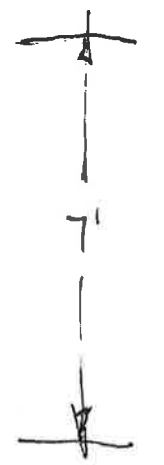
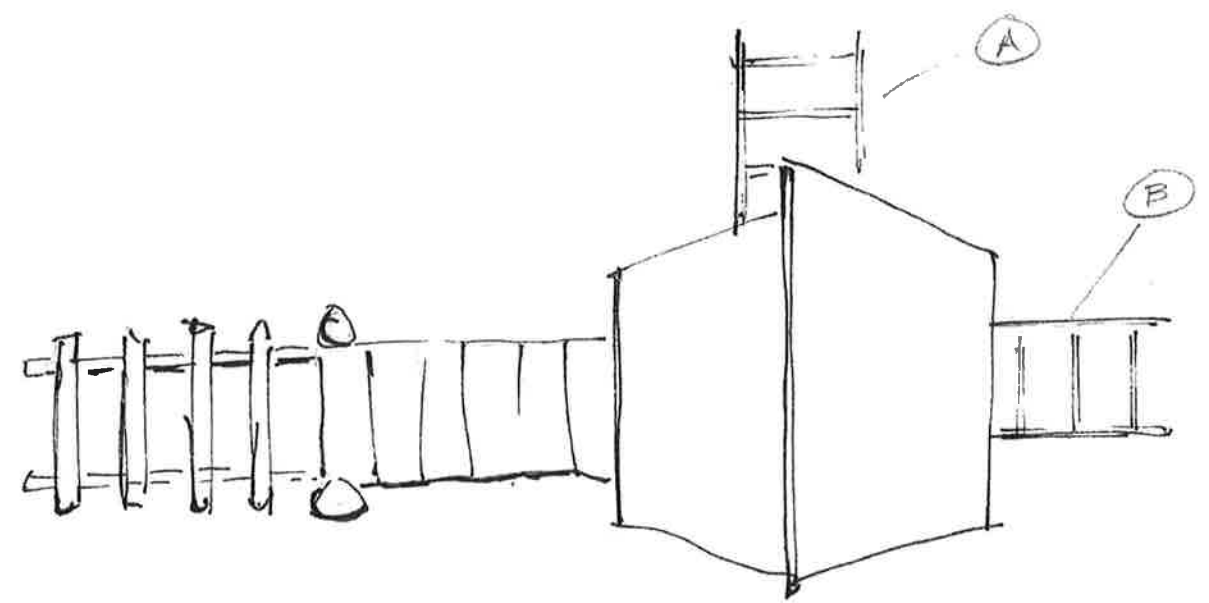
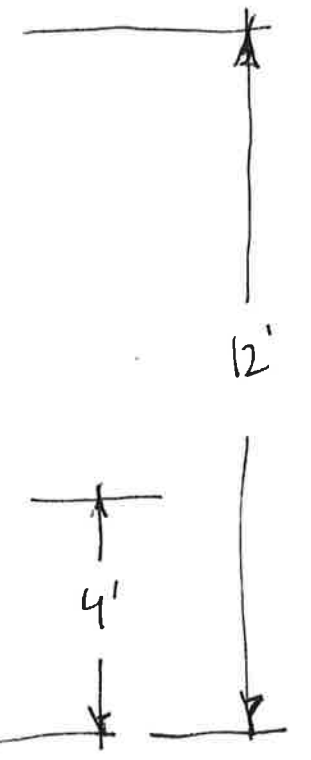
ALGONQUIN HIGHLANDS
 TREEHOUSE PLAYGROUND.
 SITE PLAN JUNE 2/14



FRONT ELEVATION



REAR ELEVATION

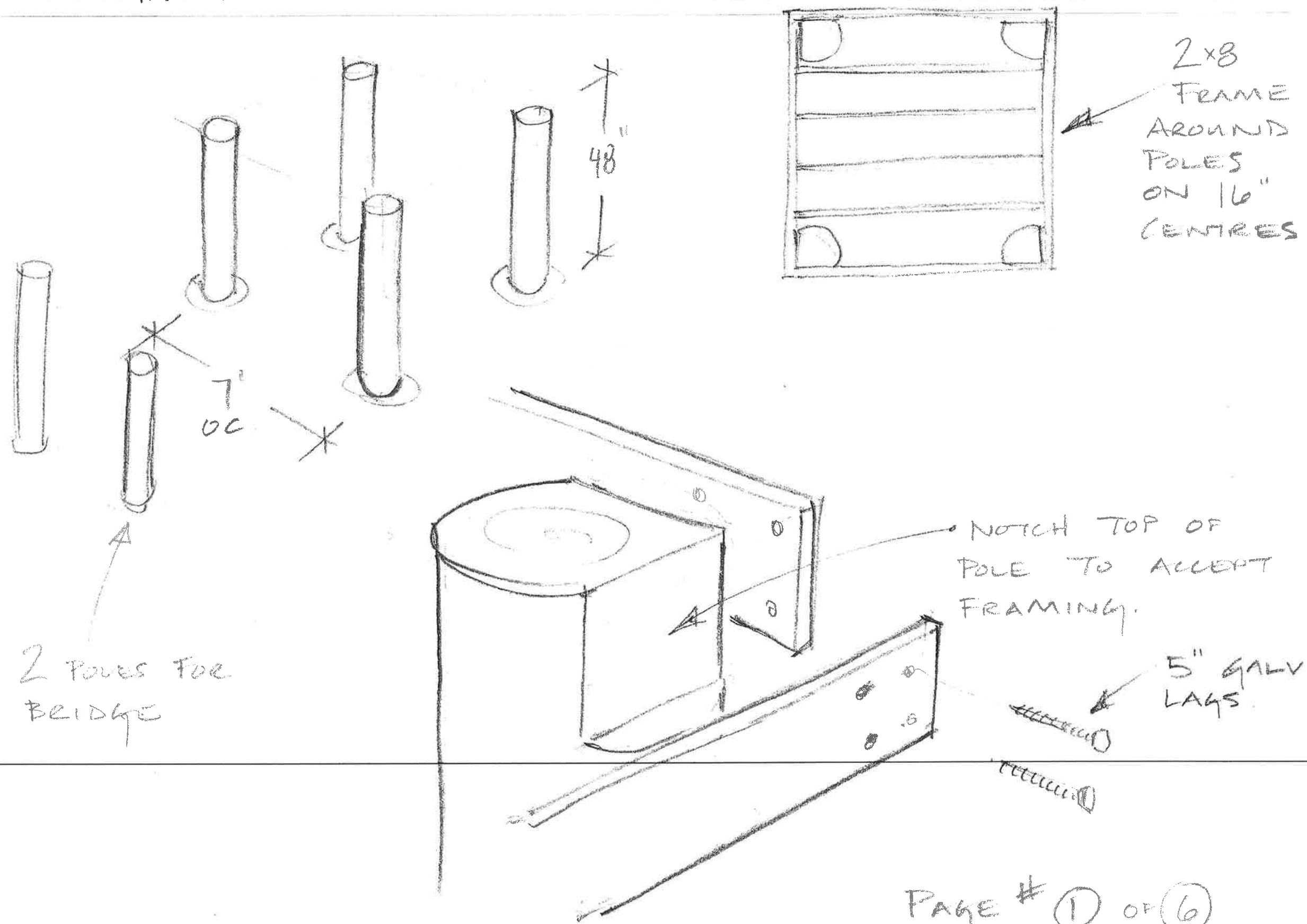


PLAN VIEW

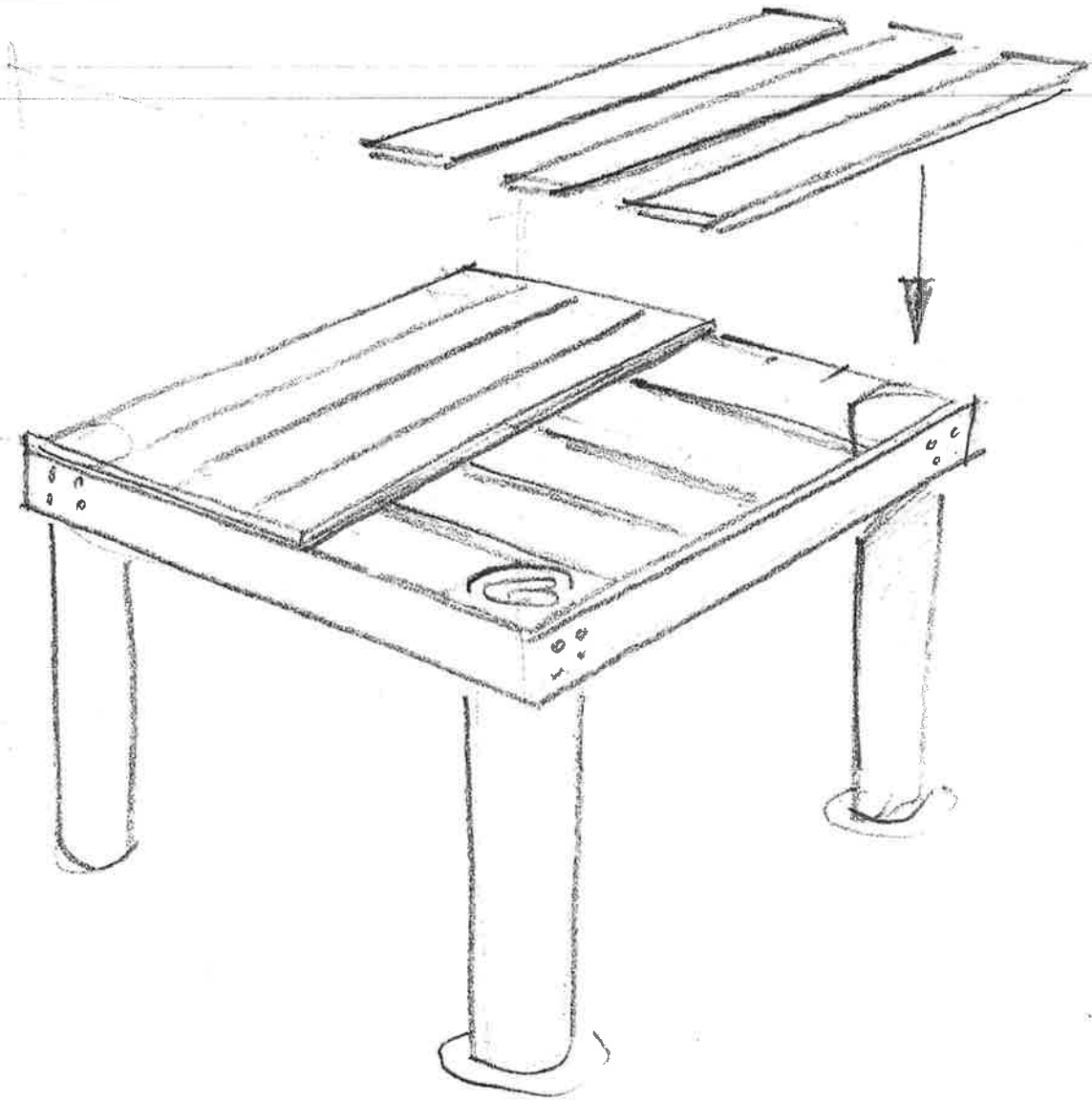
ALGONQUIN HIGHLANDS
TREEHOUSE SKETCHES

① TREEHOUSE ASSEMBLY.
• ANGER Ø18 HOLES AND DROP
IN HYDRO POLES

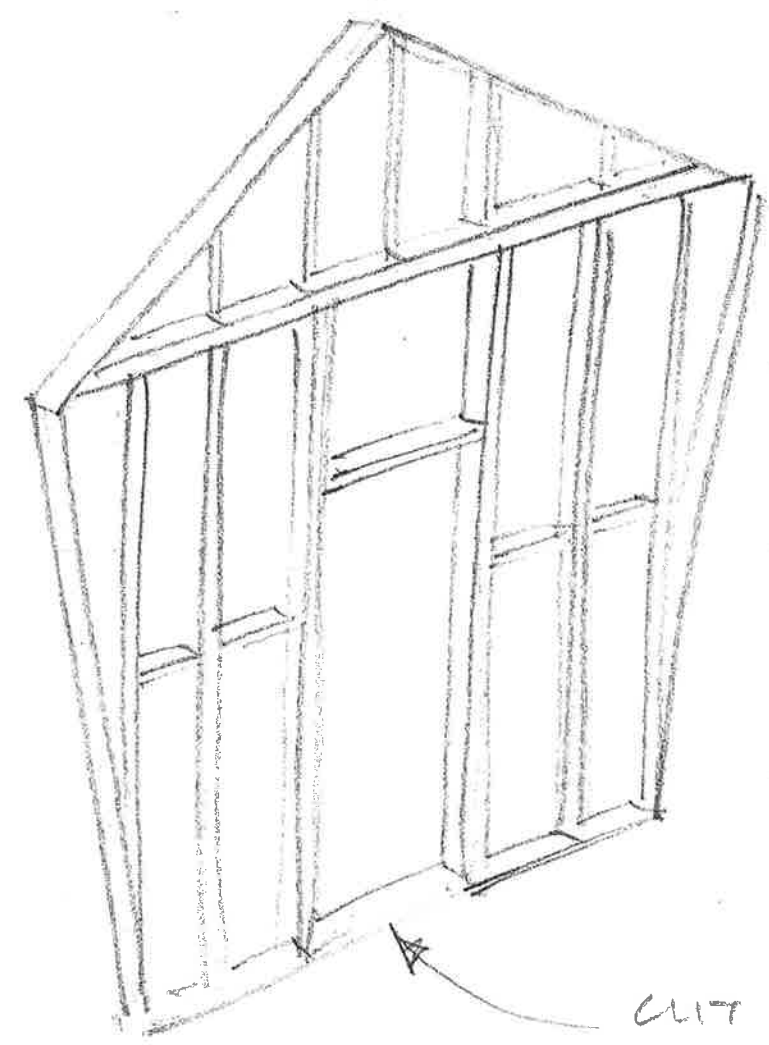
②



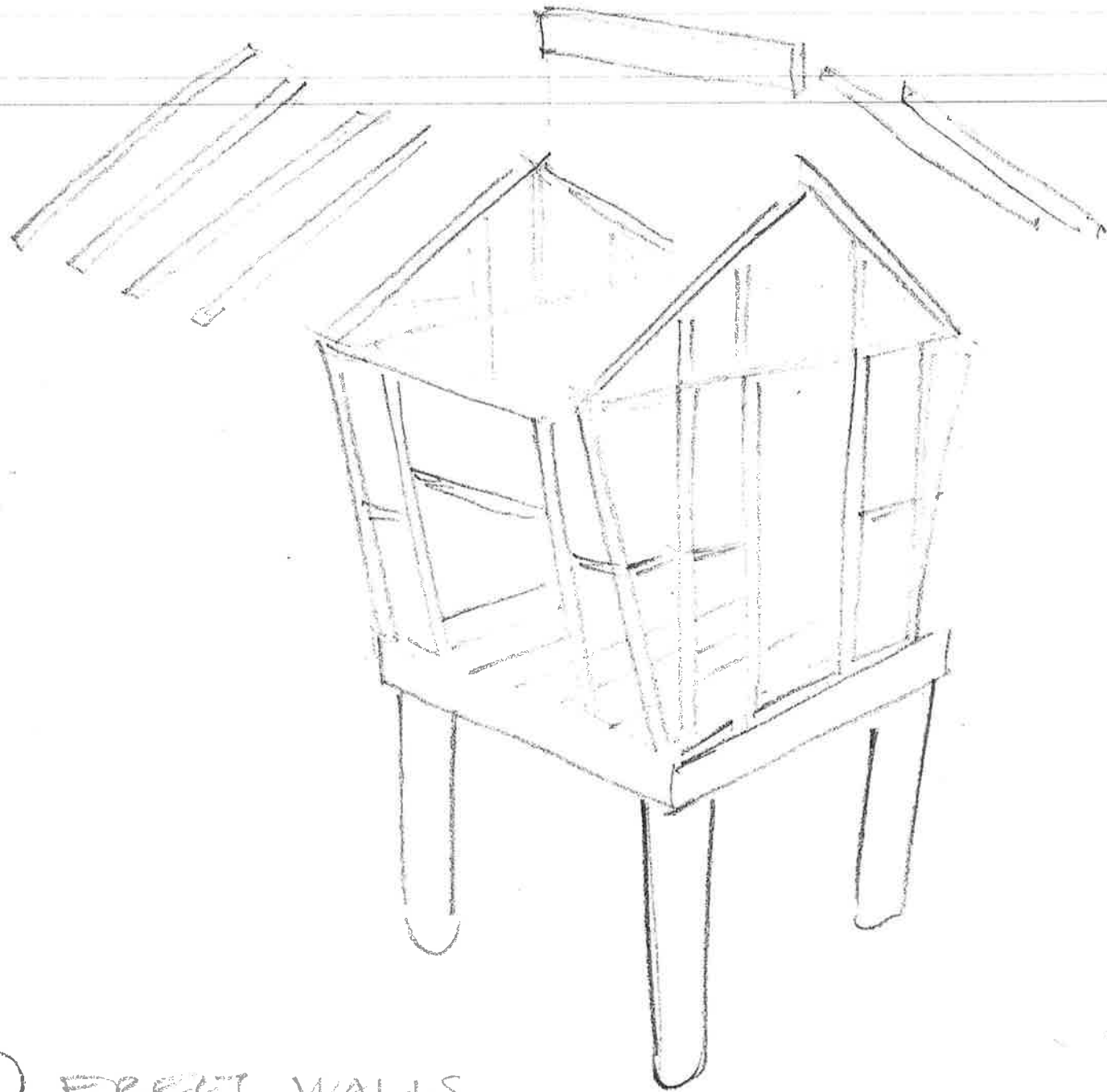
③ INSTALL 2x6 DECKING



④ FRAME FOUR WALLS
WITH 2x4 PT ON
14" CENTRES.
BLOCKING HALF WAY UP

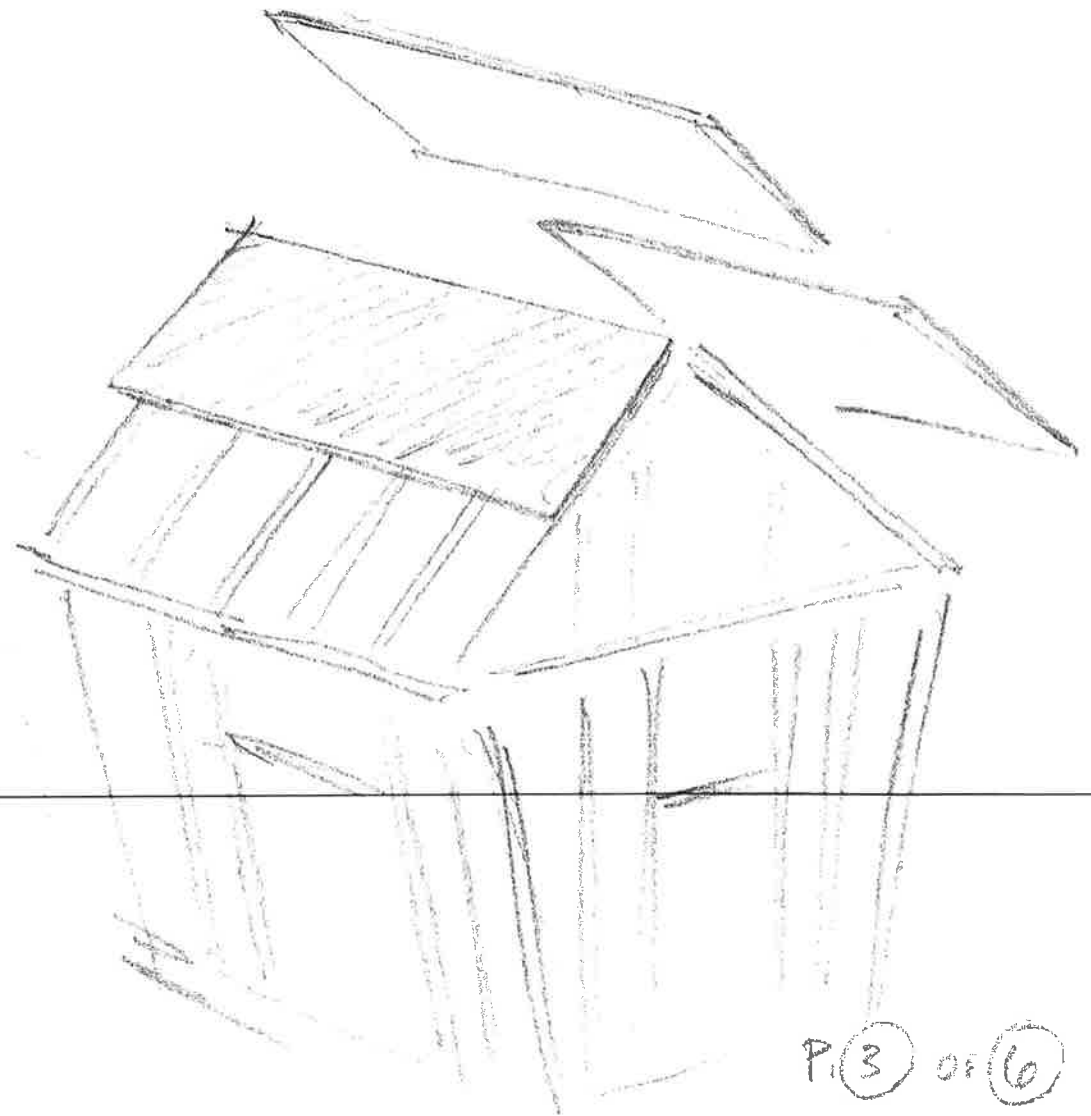


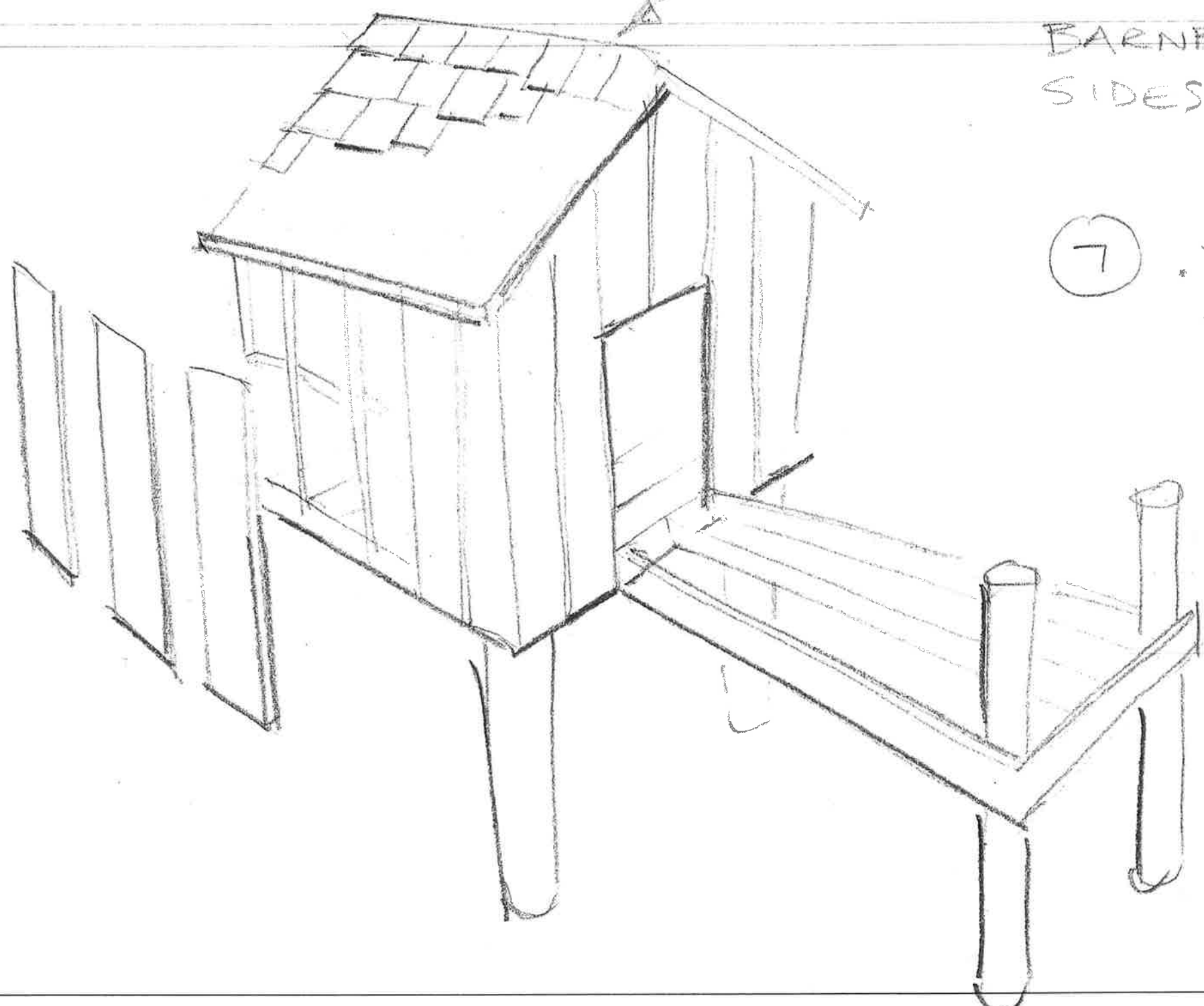
CUT OUT
LATER



⑤ ERECT WALLS
ON DECK & FRAME
IN ROOF

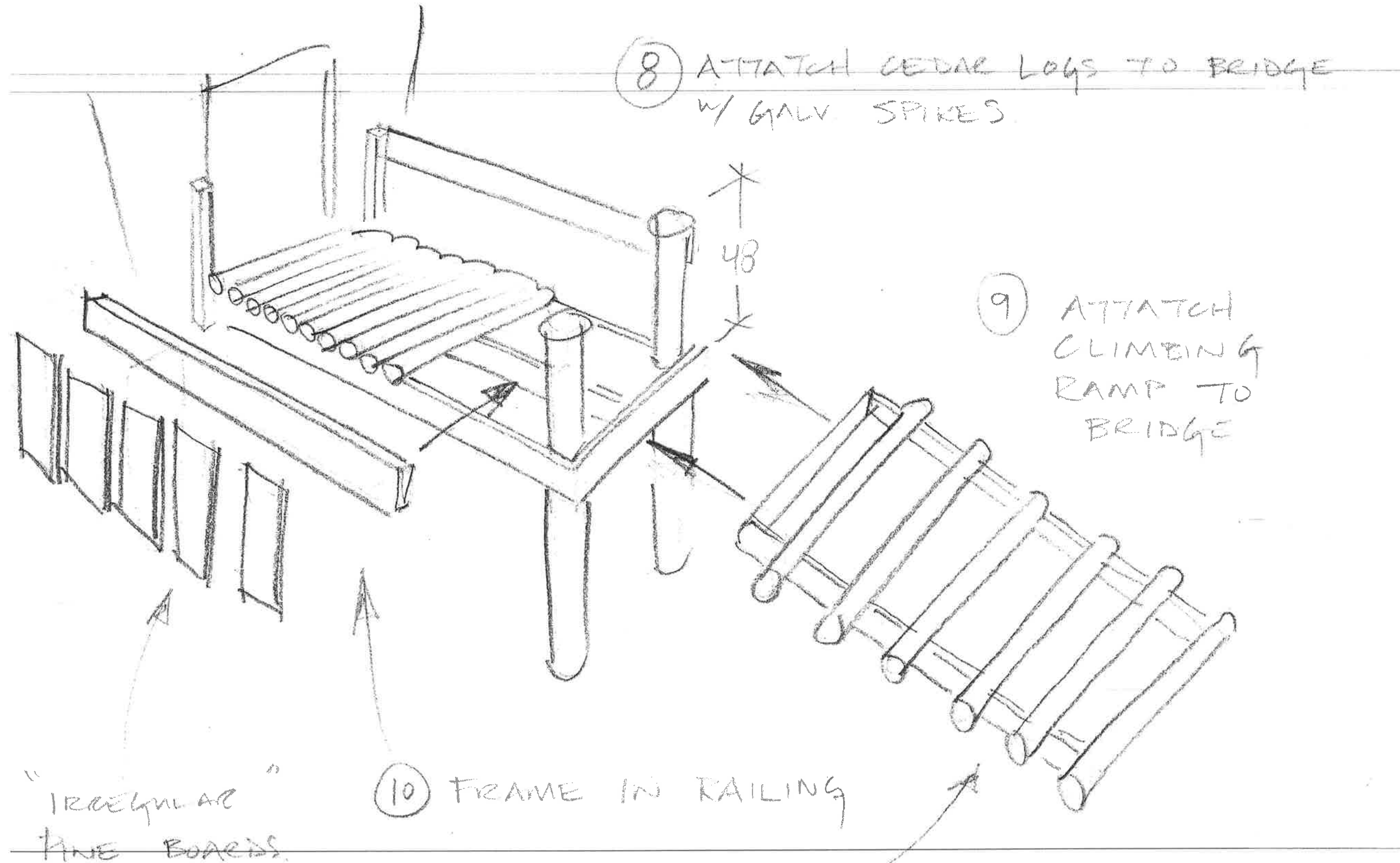
⑥ SHEATH ROOF
WITH $\frac{3}{4}$ " PLYWOOD,
& INSIDE w/ PINE
T&G.



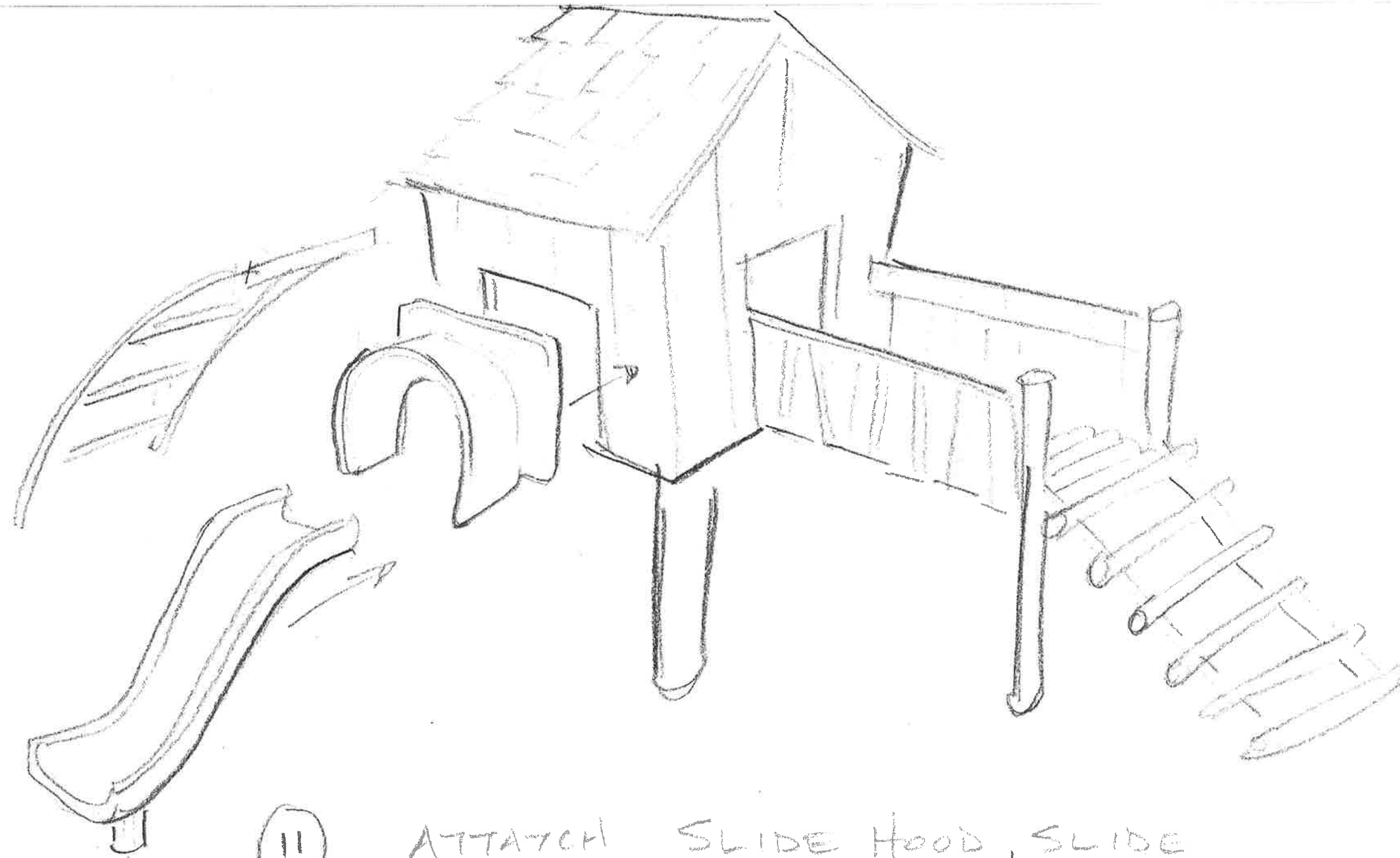


⑥ INSTALL CEDAR SHAKES & PINE BARNBOARD TO SIDES

⑦ FRAME IN BRIDGE (2x8 PT.)



SEE DETAIL
DRWG ⑩ AA



11

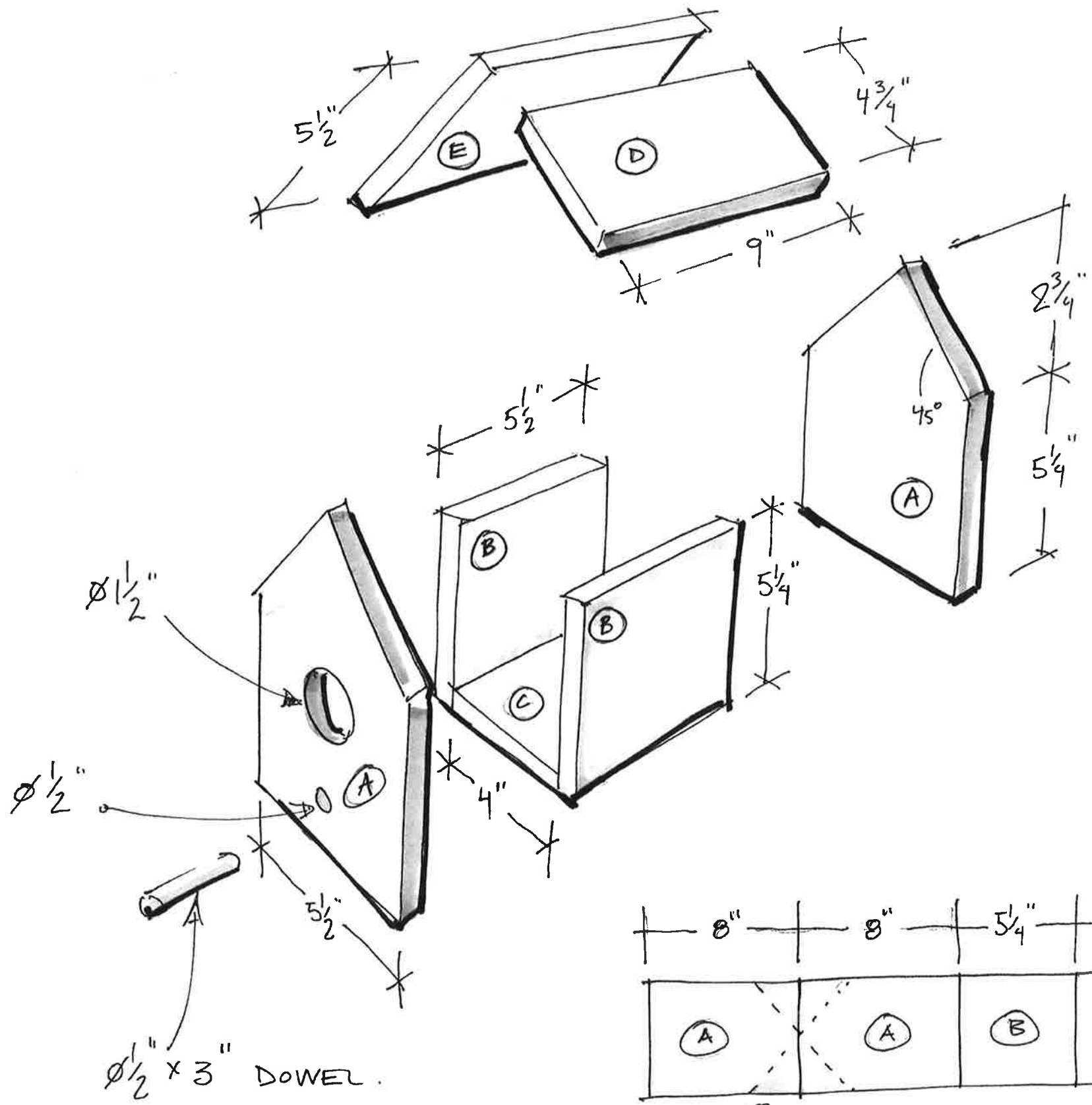
ATTATCH SLIDE HOOD, SLIDE
& PLAYGROUND CLIMBER.

12

PAINT WALLS YELLOW & TRIM BLUE

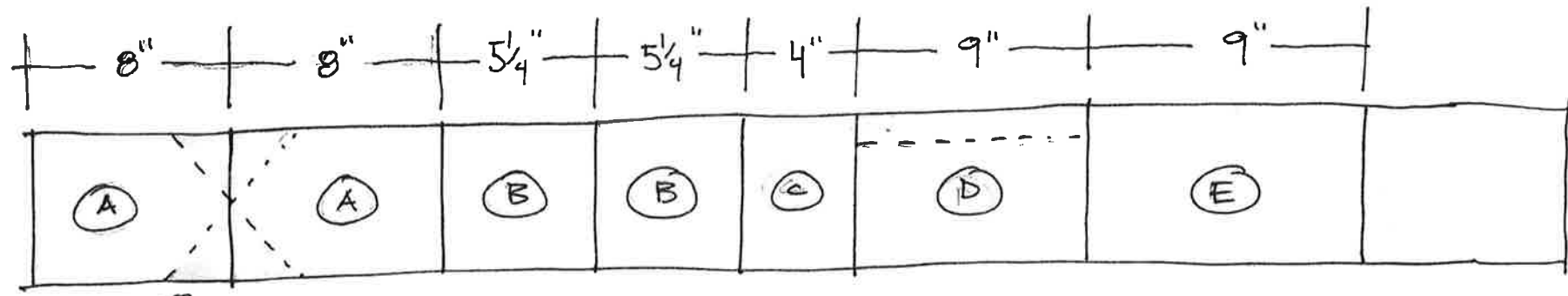
P. 6 OF 6

ALGONQUIN HIGHLANDS
"BIRD HOUSE"
ART PROJECT.



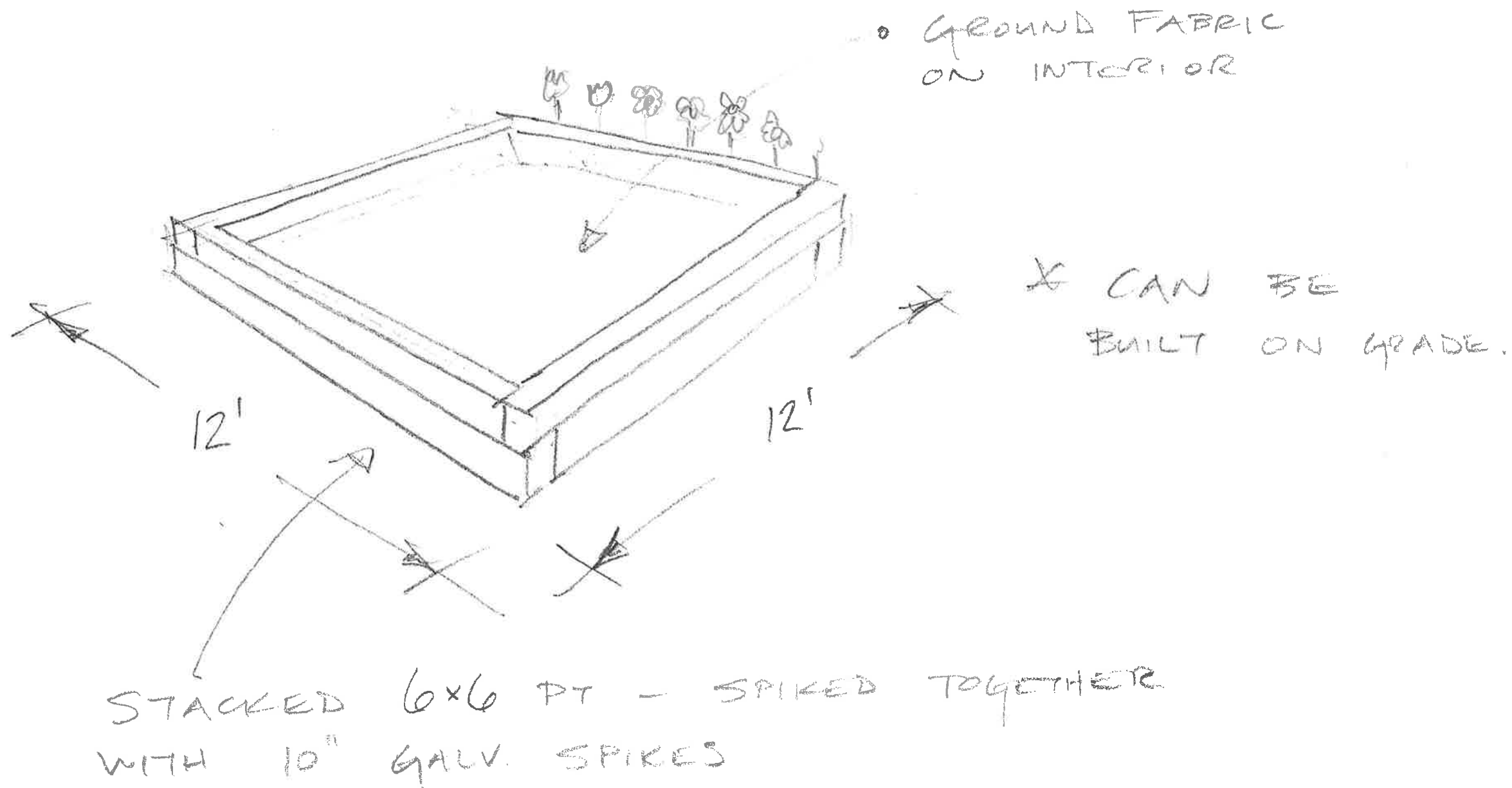
MATERIALS REQUIRED

- 1 ($\frac{3}{4}$ " x 6' x $5\frac{1}{2}$ ") PINE BOARD PER BIRDHOUSE
- 1 ($\phi\frac{1}{2}$ DOWEL)
- EXTERIOR WOOD GLUE
- EXTERIOR WOOD PAINT
- BRAD NAILS.

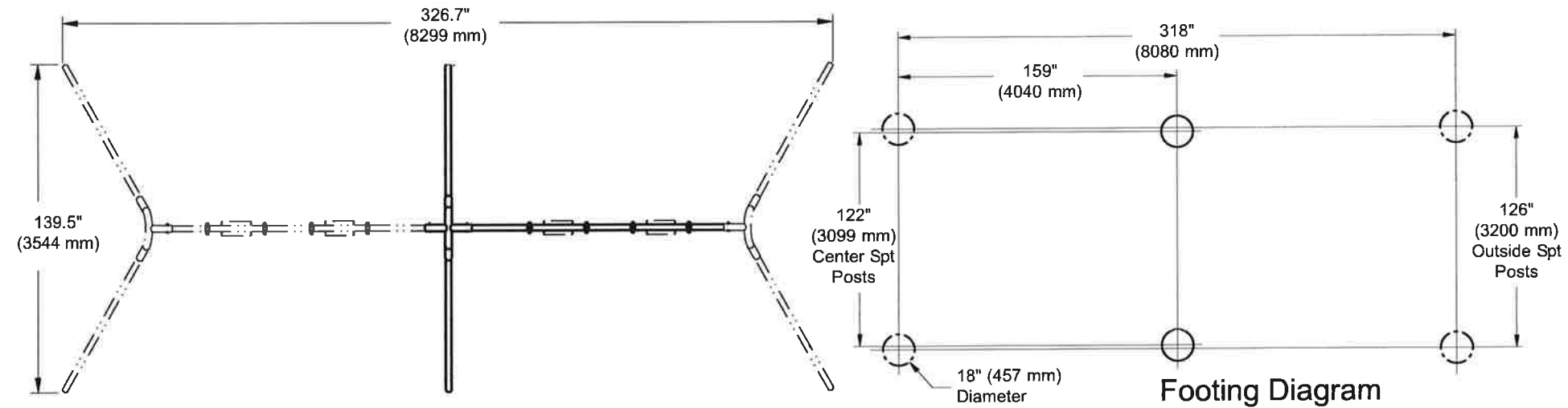


72" x 5 1/2" x 3/4" PINE OR CEDAR BOARD.

SANDBOX - ALGONQUIN HIGHLANDS

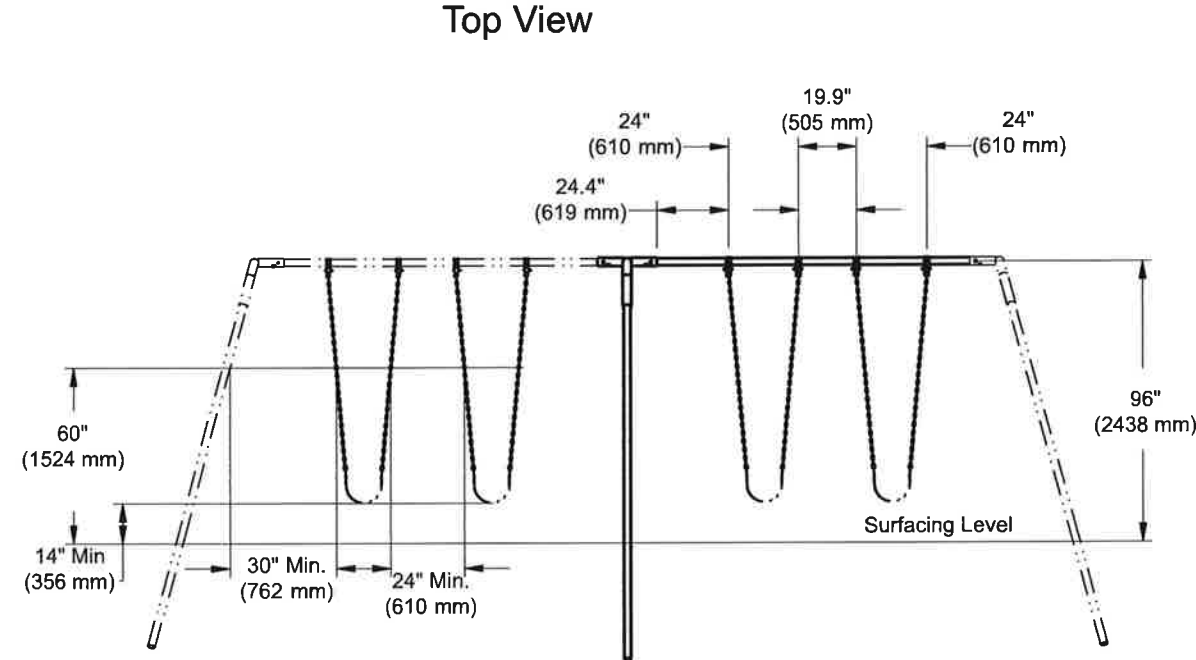


Installation Instructions

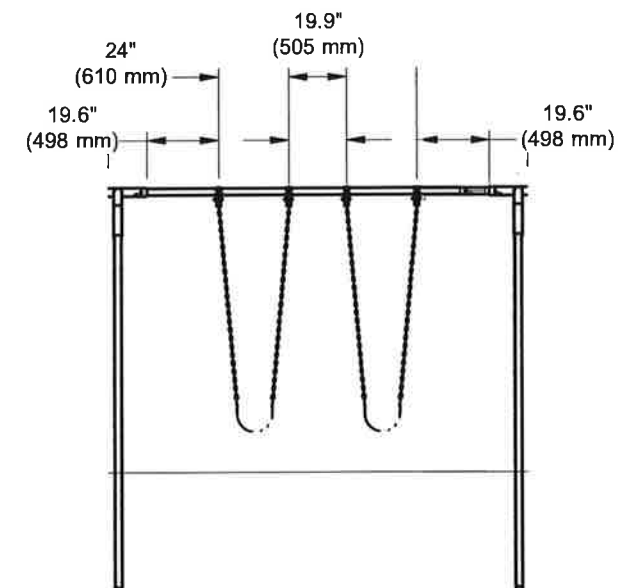


Top View

Footing Diagram



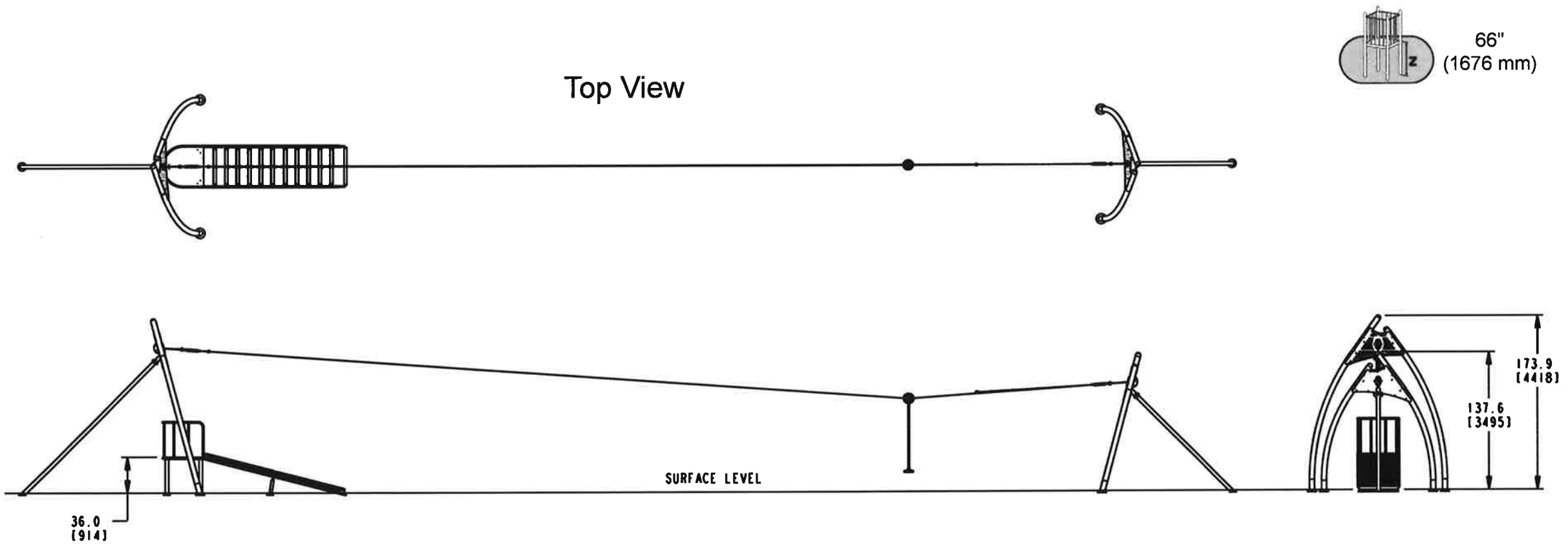
Elevation Views
ZZXX0230



Note: For three or more bays use the above dimensions for the Swing Hanger locations between two straight center posts.

Installation Instructions

KEY	
Position	Unit of Measurement
Top #	Inches
Bottom #	[Millimeters]



Elevation Views
XX0143S

