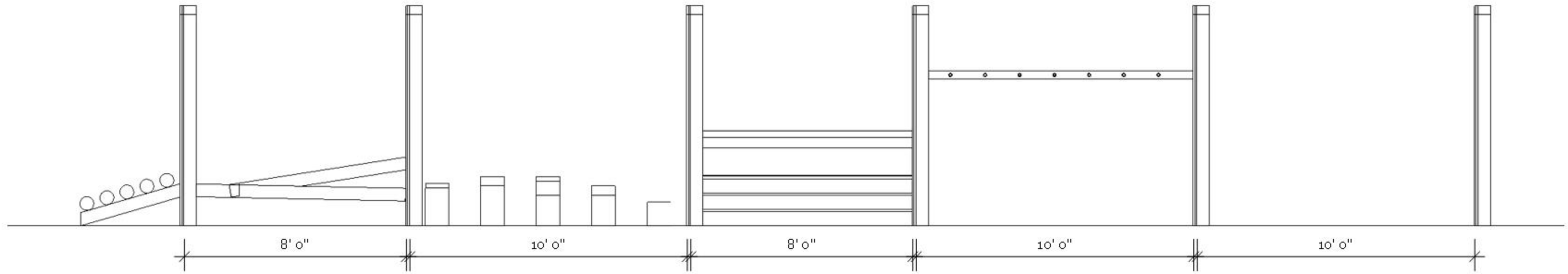


GIVER
INGERSOL CHEESE PARK
SINKING SHIP ENTERTAINMENT

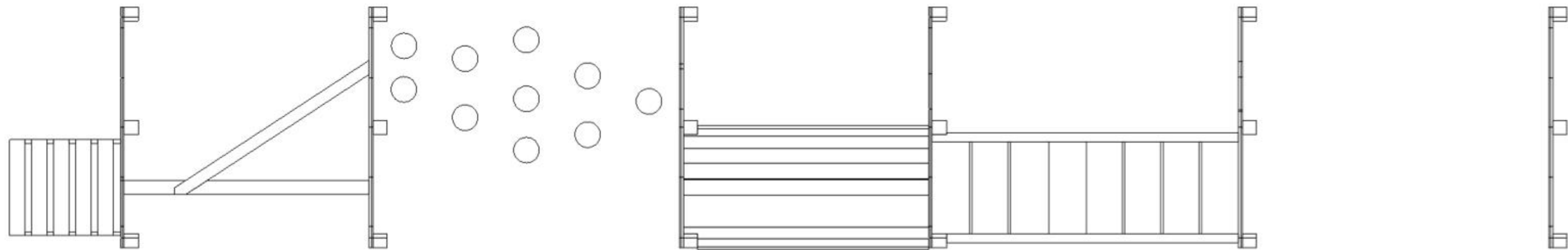
PRODUCTION DESIGNER / JOHN DYKES
DRAWN BY / JOHN KIM



SIDE ELEVATION

SCALE : 1/4" = 1'-0"

1
01



PLAN VIEW

SCALE : 1/4" = 1'-0"

2
01

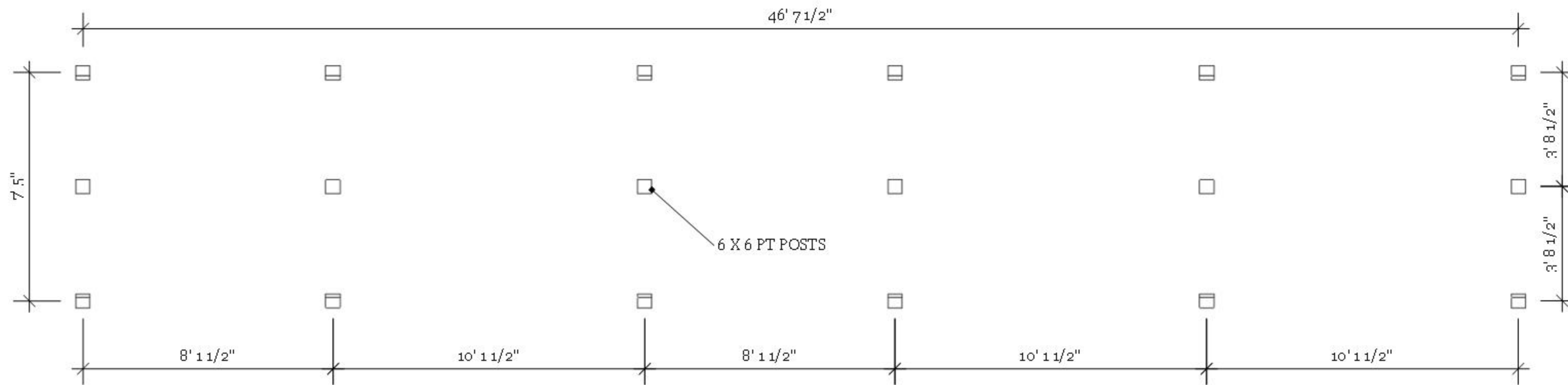
GIVER
INGERSOL CHEESE PARK
SINKING SHIP ENTERTAINMENT

PRODUCTION DESIGNER / JOHN DYKES

DRAWN BY / JOHN KIM

REVISIONS	
MM/DD/YY	REMARKS
1	---
2	---
3	---
4	---
5	---

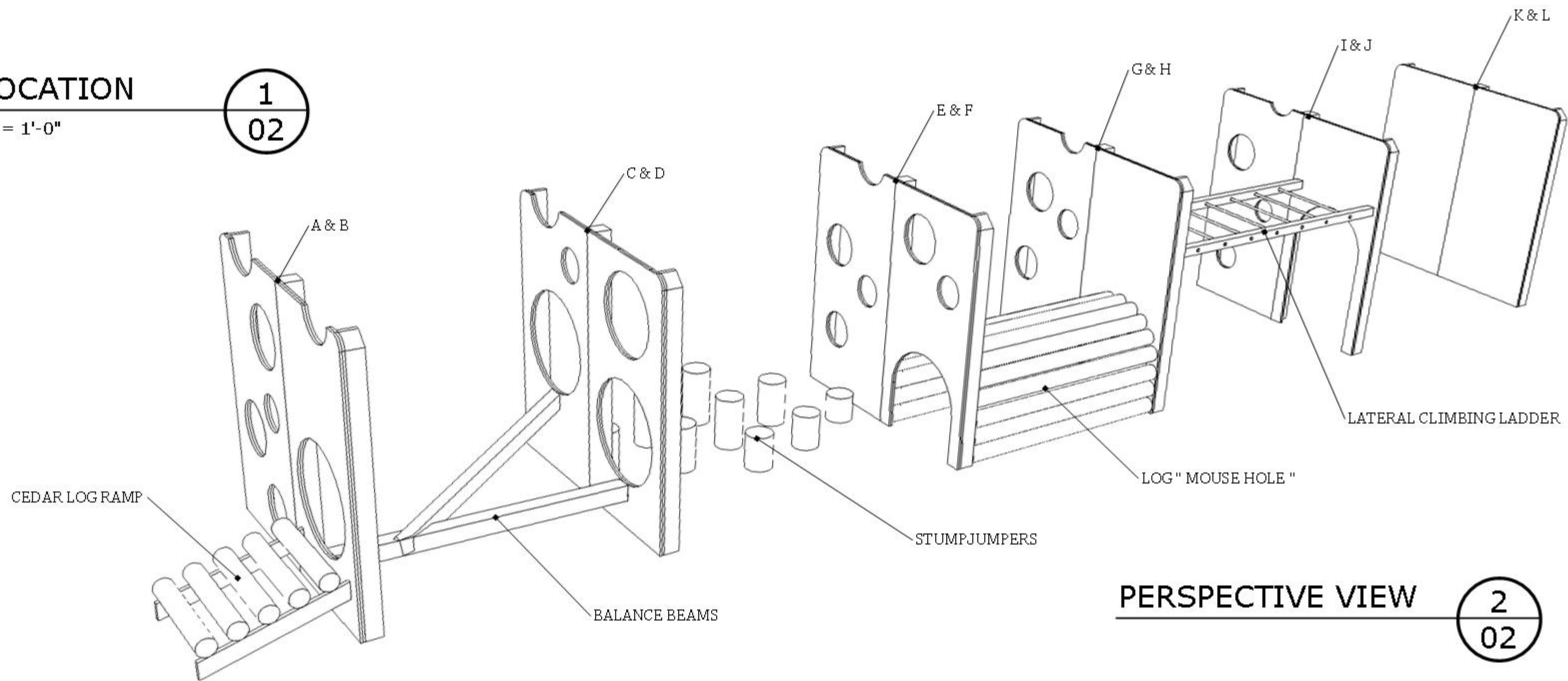
A 01



POST LOCATION

SCALE : 1/4" = 1'-0"

1
02



PERSPECTIVE VIEW

2
02

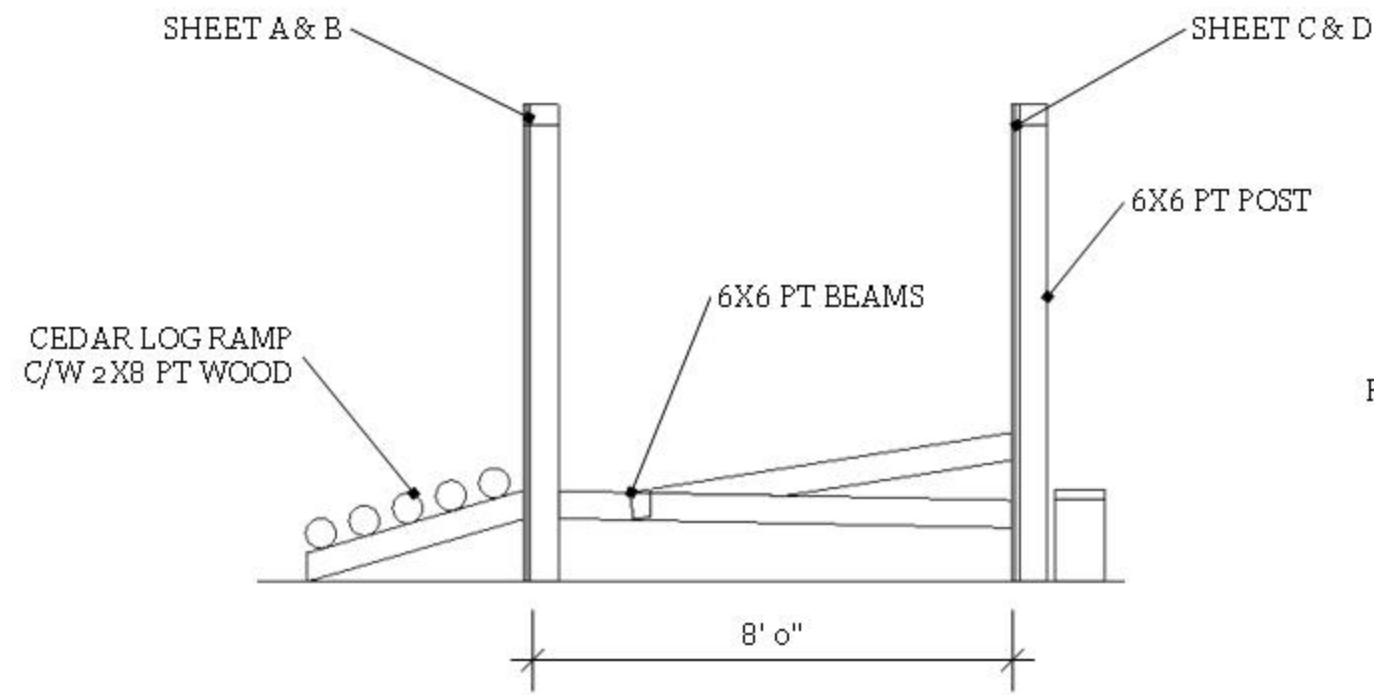
GIVER
INGERSOL CHEESE PARK
SINKING SHIP ENTERTAINMENT

PRODUCTION DESIGNER / JOHN DYKES

DRAWN BY / JOHN KIM

REVISIONS	
MM/DD/YY	REMARKS
1	
2	
3	
4	
5	

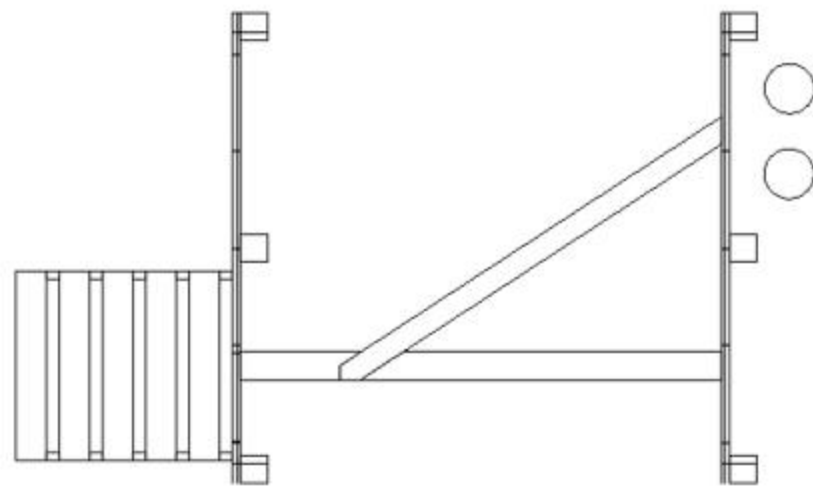
A 02



SIDE ELEVATION

SCALE : 1/4" = 1'-0"

1
03



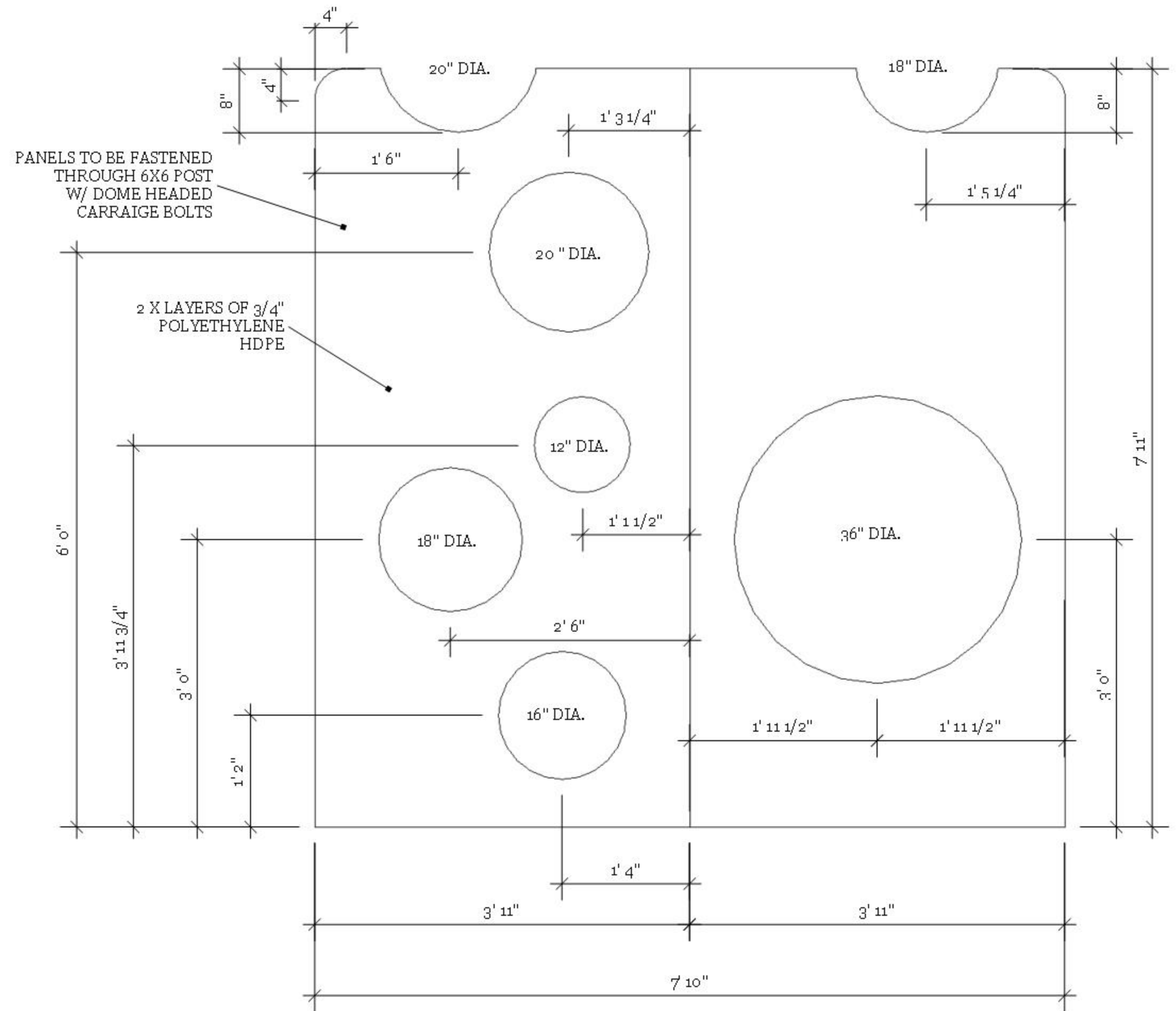
PLAN VIEW

SCALE : 1/4" = 1'-0"

2
03

SHEET A

SHEET B



FRONT PANEL A & B

SCALE : 3/4" = 1'-0"

3
03

GIVER
INGERSOL CHEESE PARK
SINKING SHIP ENTERTAINMENT

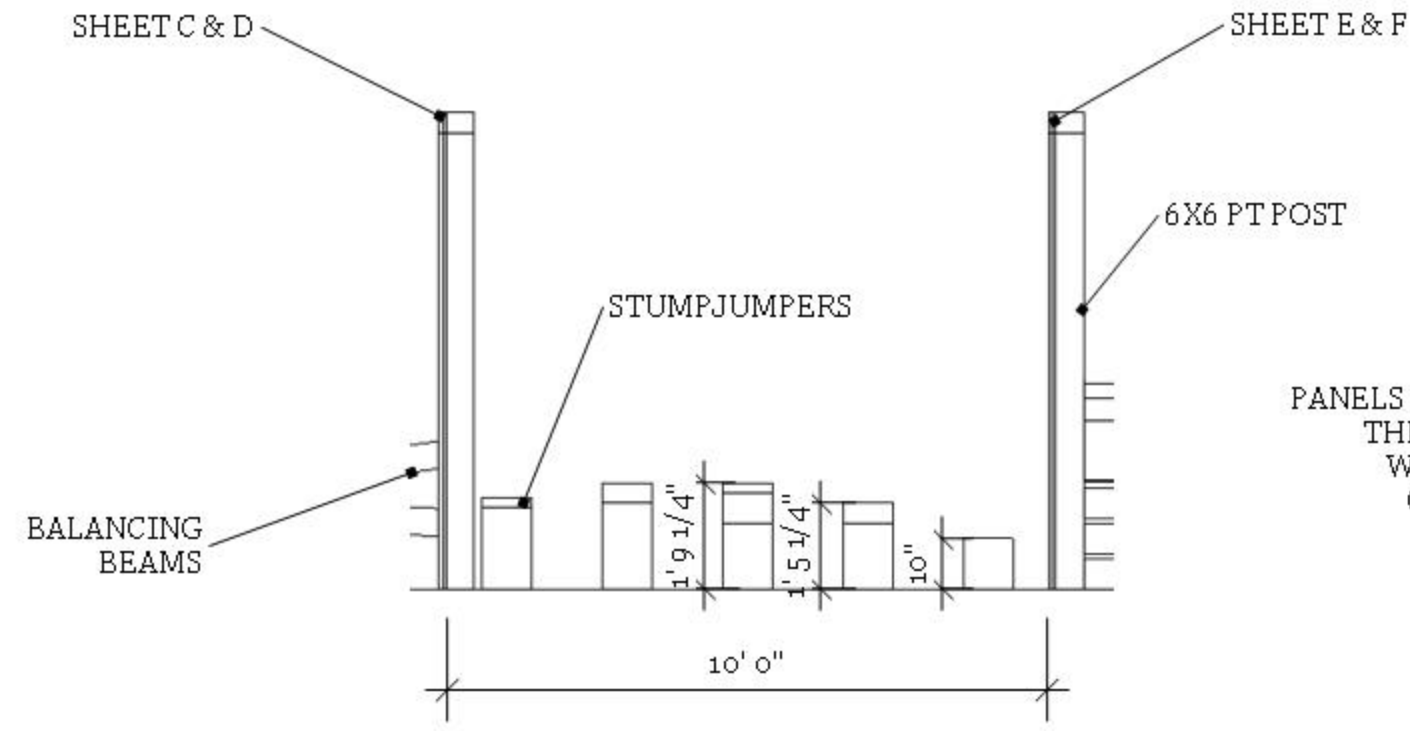
PRODUCTION DESIGNER / JOHN DYKES

DRAWN BY / JOHN KIM

REVISIONS

MM/DD/YY	REMARKS
1	
2	
3	
4	
5	

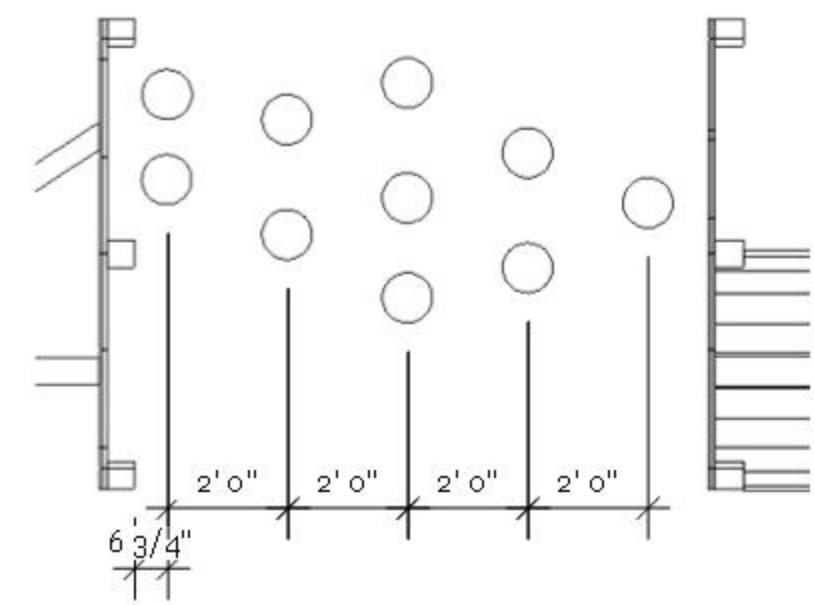
A 03



SIDE ELEVATION

SCALE : 1/4" = 1'-0"

1
04



PLAN VIEW

SCALE : 1/4" = 1'-0"

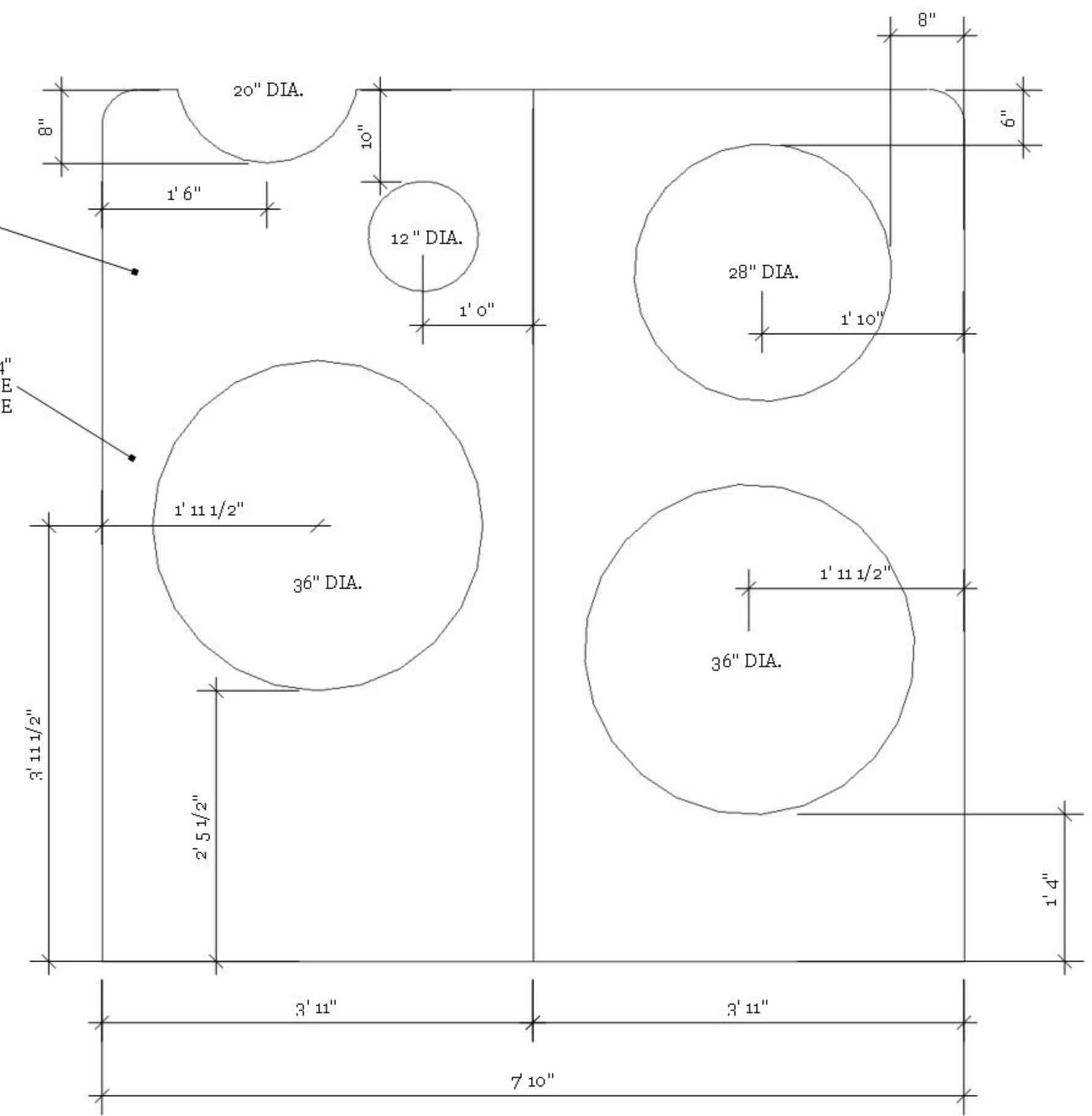
2
04

SHEET C

SHEET D

PANELS TO BE FASTENED THROUGH 6X6 POST W/ DOME HEADED CARRAIGE BOLTS

2 X LAYERS OF 3/4" POLYETHYLENE HDPE



FRONT PANEL C & D

SCALE : 3/4" = 1'-0"

3
04

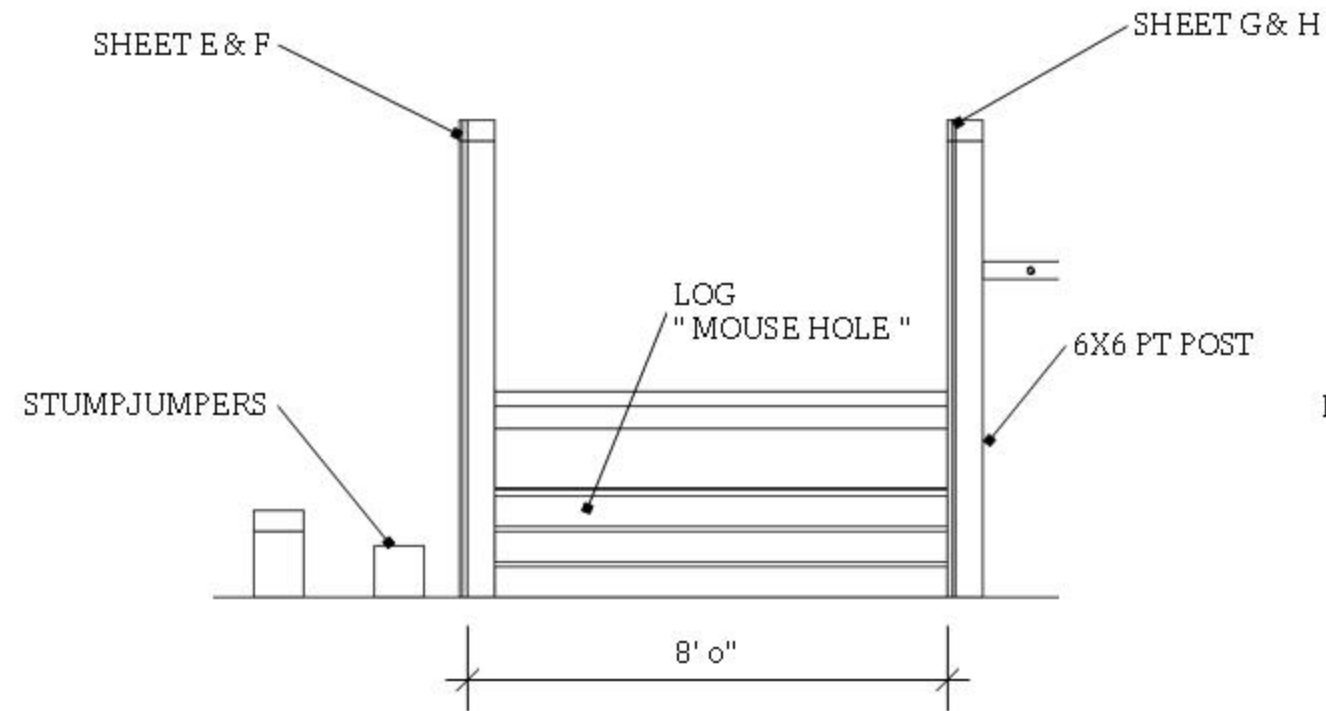
GIVER
INGERSOL CHEESE PARK
SINKING SHIP ENTERTAINMENT

PRODUCTION DESIGNER / JOHN DYKES

DRAWN BY / JOHN KIM

REVISIONS	
MM/DD/YY	REMARKS
1	
2	
3	
4	
5	

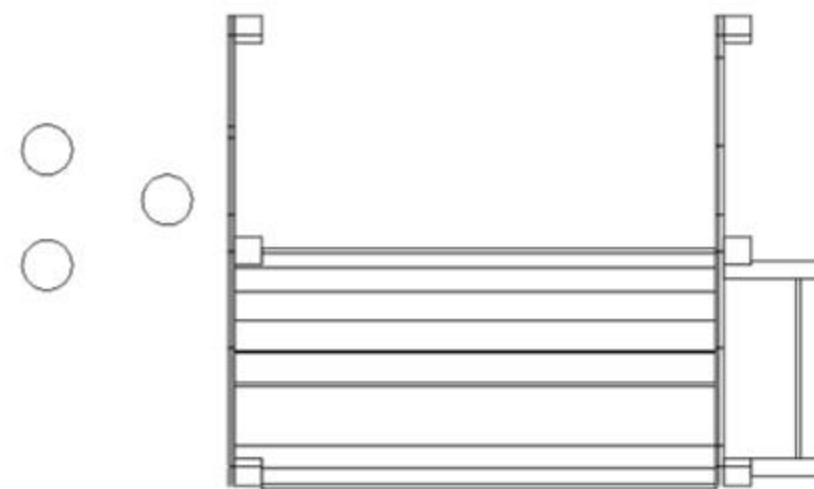
A 04



SIDE ELEVATION

SCALE : 1/4" = 1'-0"

1
05



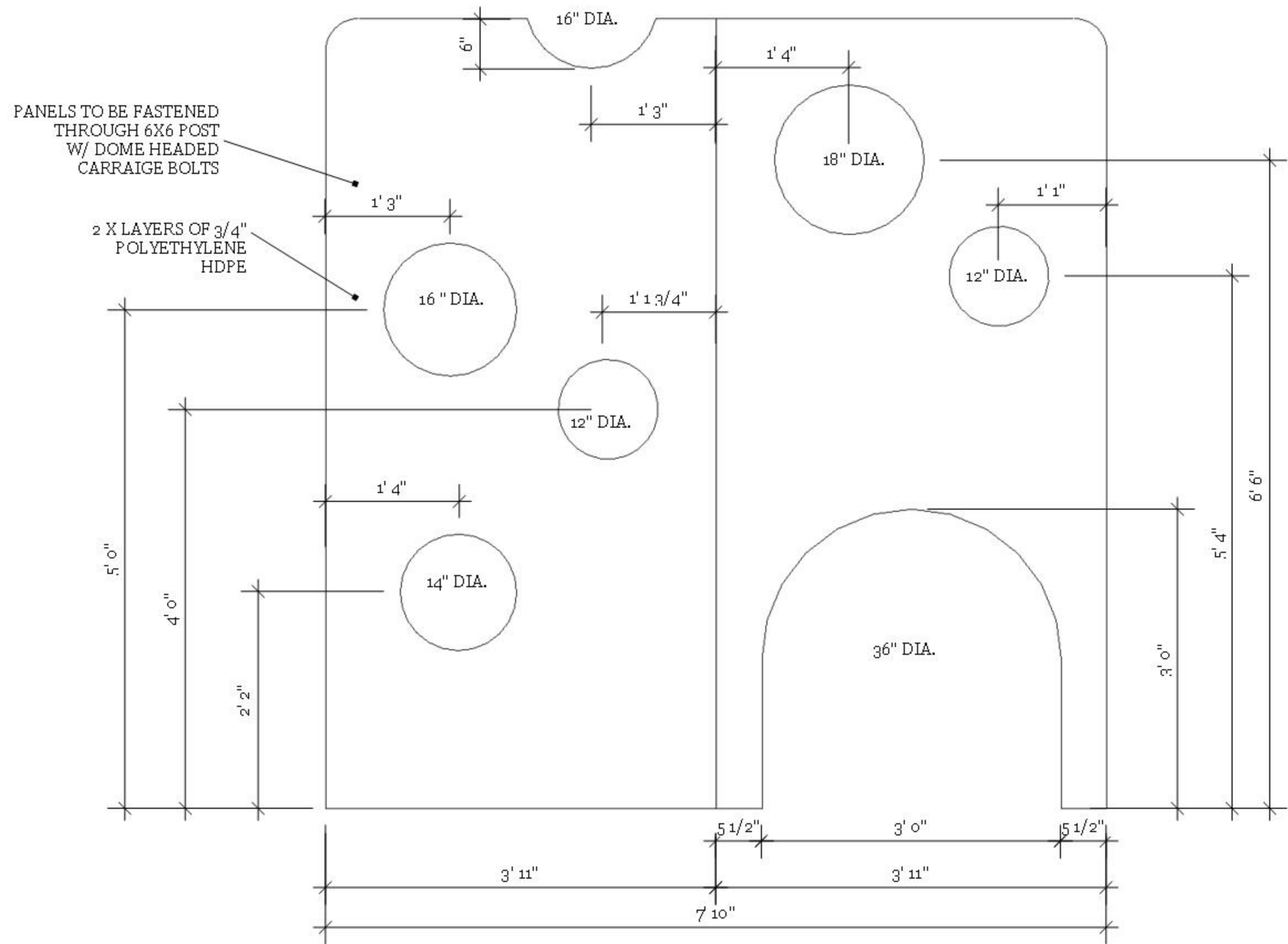
PLAN VIEW

SCALE : 1/4" = 1'-0"

2
05

SHEET E

SHEET F



FRONT PANEL E & F

SCALE : 3/4" = 1'-0"

3
05

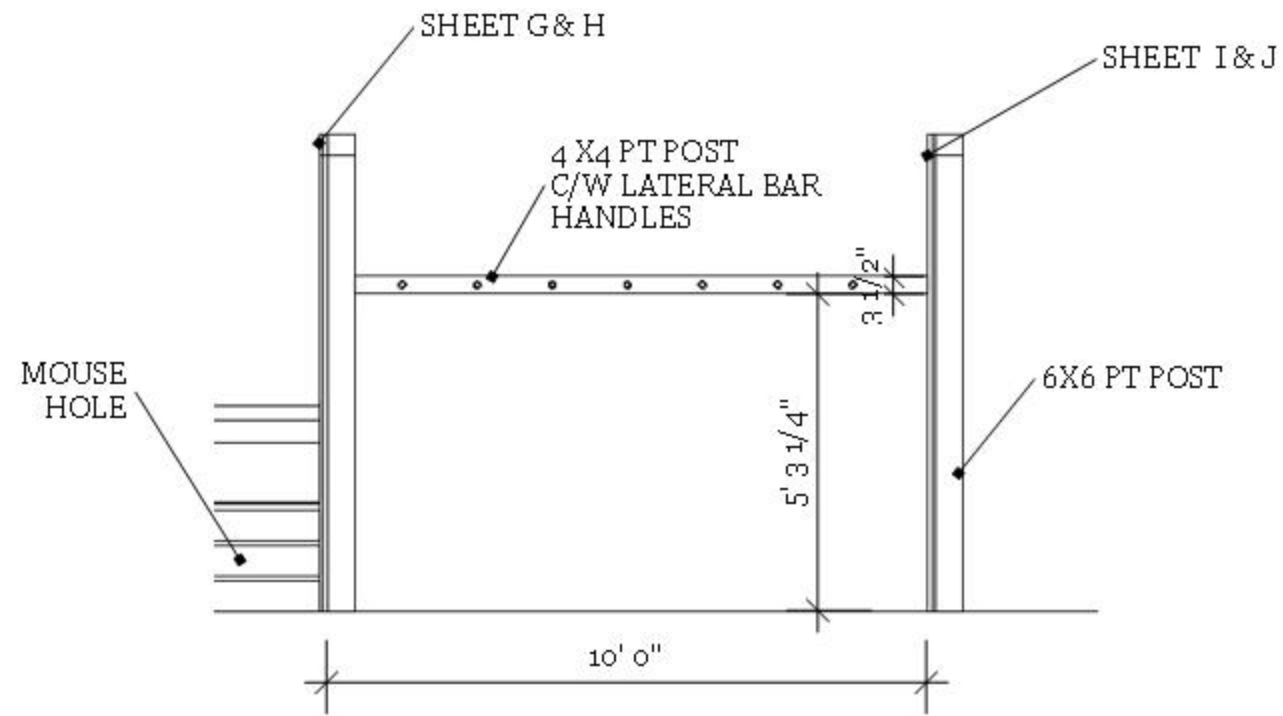
GIVER
INGERSOL CHEESE PARK
SINKING SHIP ENTERTAINMENT

PRODUCTION DESIGNER / JOHN DYKES

DRAWN BY / JOHN KIM

REVISIONS	
MM/DD/YY	REMARKS
1	
2	
3	
4	
5	

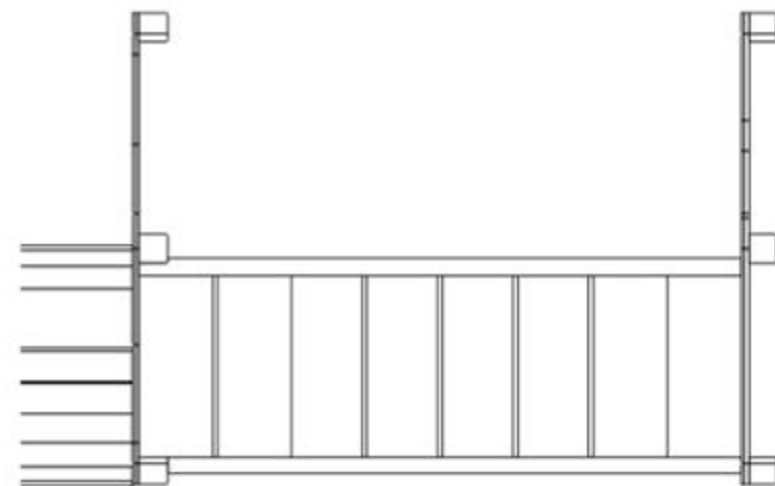
A 05



SIDE ELEVATION

SCALE : 1/4" = 1'-0"

1
06



PLAN VIEW

SCALE : 1/4" = 1'-0"

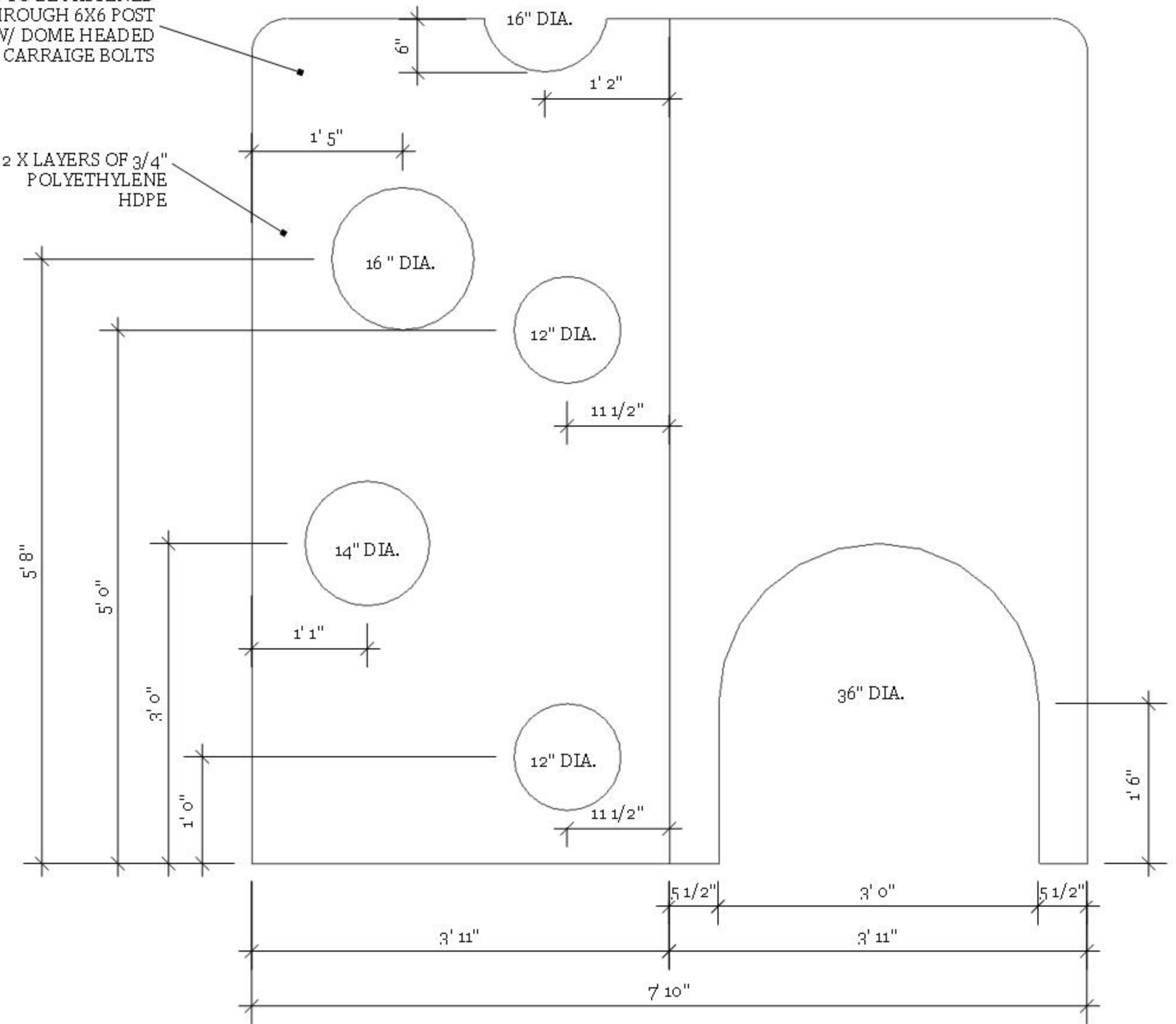
2
06

SHEET G

SHEET H

PANELS TO BE FASTENED THROUGH 6X6 POST W/ DOME HEADED CARRIAGE BOLTS

2 X LAYERS OF 3/4" POLYETHYLENE HDPE



FRONT PANEL G & H

SCALE : 3/4" = 1'-0"

3
06

GIVER
INGERSOL CHEESE PARK
SINKING SHIP ENTERTAINMENT

PRODUCTION DESIGNER / JOHN DYKES

DRAWN BY / JOHN KIM

REVISIONS

MM/DD/YY	REMARKS
1	
2	
3	
5	

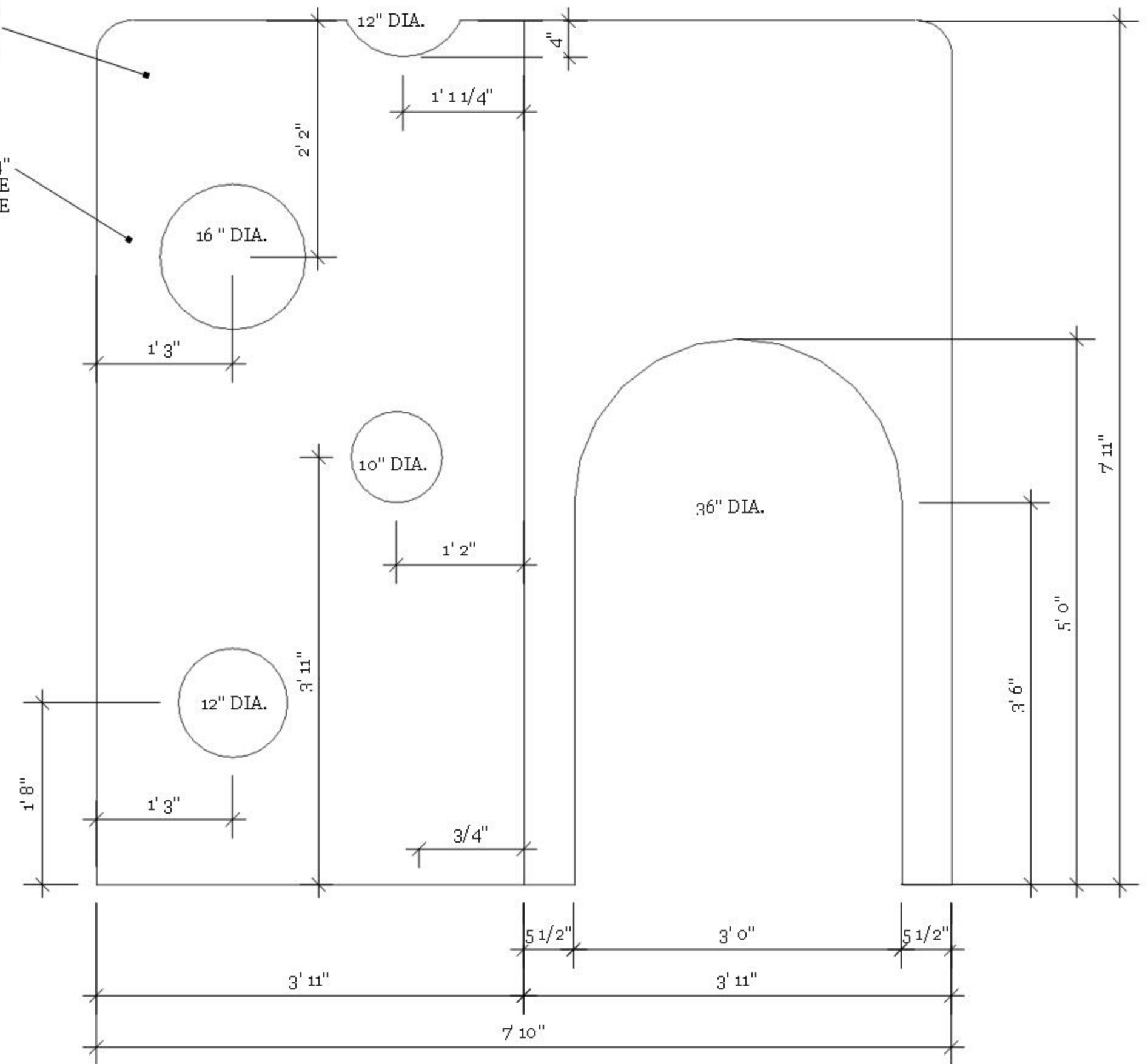
A 06

SHEET I

SHEET J

PANELS TO BE FASTENED THROUGH 6X6 POST W/ DOME HEADED CARRAIGE BOLTS

2 X LAYERS OF 3/4" POLYETHYLENE HDPE



FRONT PANEL I & J

SCALE : 3/4" = 1'-0"

1
07

GIVER
INGERSOL CHEESE PARK
SINKING SHIP ENTERTAINMENT

PRODUCTION DESIGNER / JOHN DYKES

DRAWN BY / JOHN KIM

REVISIONS

MM/DD/YY	REMARKS
1	
2	
3	
4	
5	

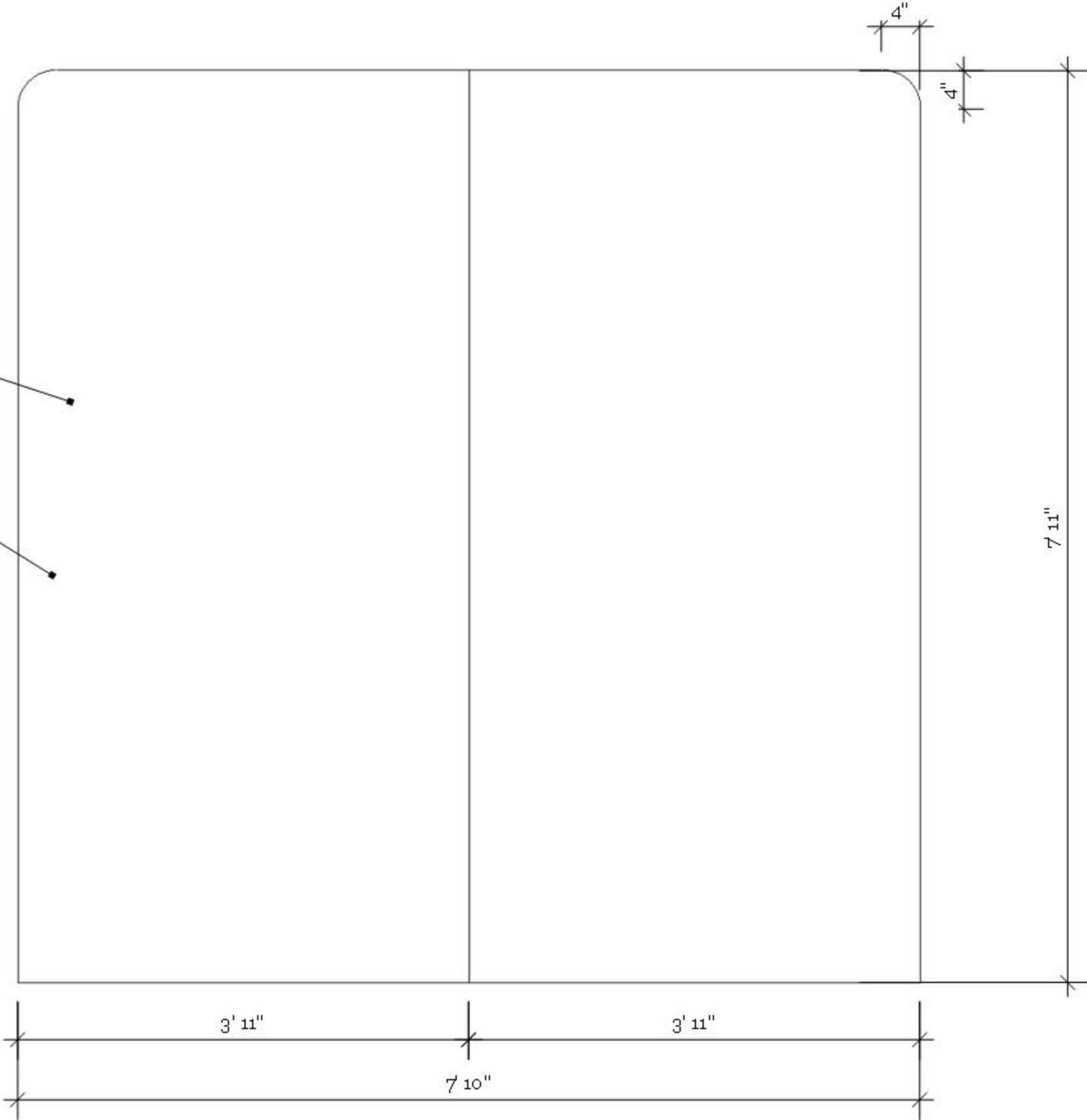
A 07

SHEET K

SHEET L

PANELS TO BE FASTENED
THROUGH 6X6 POST
W/ DOME HEADED
CARRAIGE BOLTS

2 X LAYERS OF 3/4"
POLYETHYLENE
HDPE



FRONT PANEL K & L

SCALE : 3/4" = 1'-0"

1
08

GIVER
INGERSOL CHEESE PARK
SINKING SHIP ENTERTAINMENT

PRODUCTION DESIGNER / JOHN DYKES

DRAWN BY / JOHN KIM

REVISIONS	
MM/DD/YY	REMARKS
1	
2	
3	
4	
5	

A 08