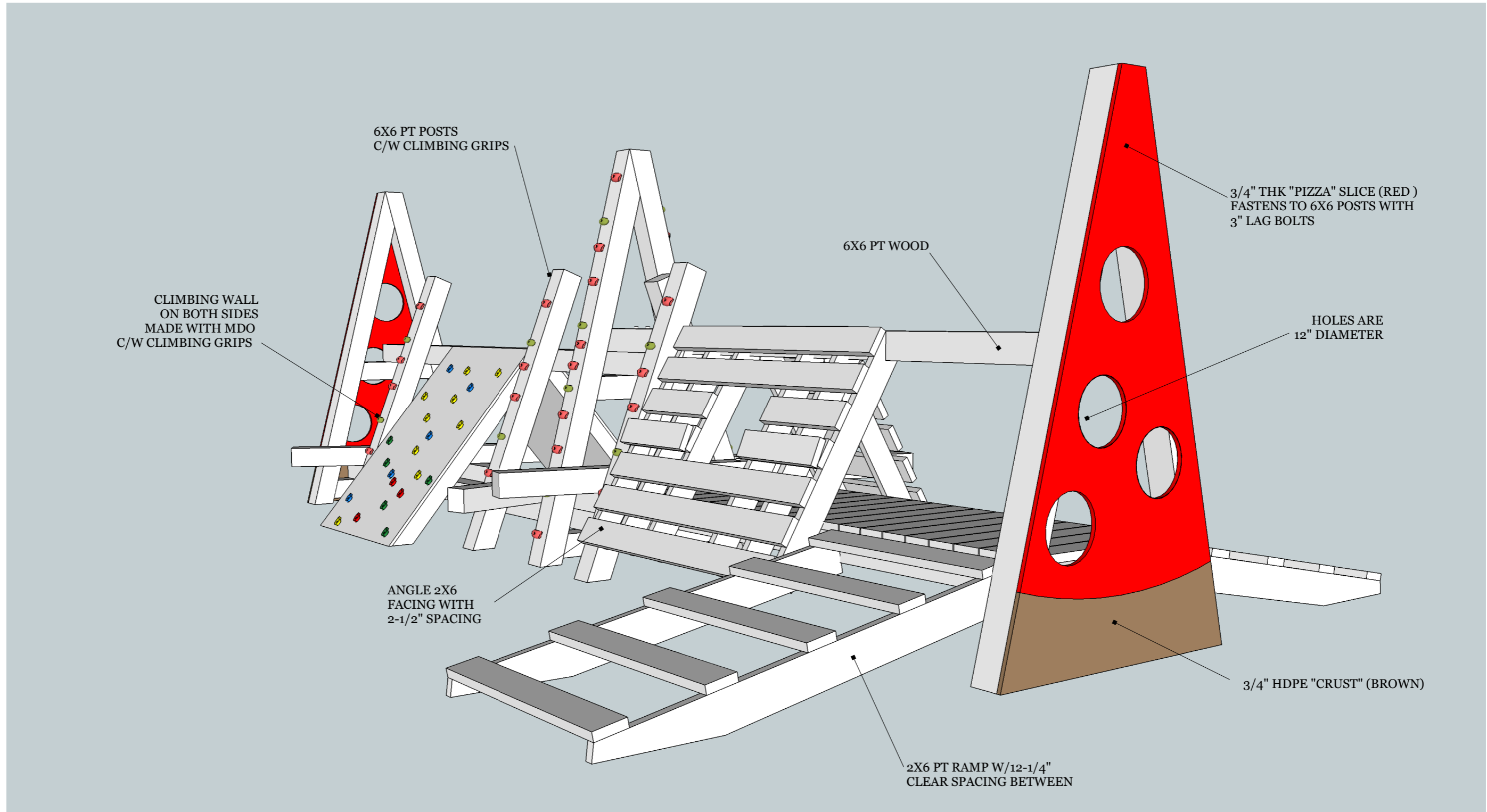


GIVER III
LEAMINGTON PARK
SINKING SHIP ENTERTAINMENT

PRODUCTION DESIGNER / JOHN DYKES
DRAWN BY / JOHN KIM



PERSPECTIVE 1

1
01



GIVER III
SINKING SHIP ENTERTAINMENT

PROJECT
LEAMINGTON PARK

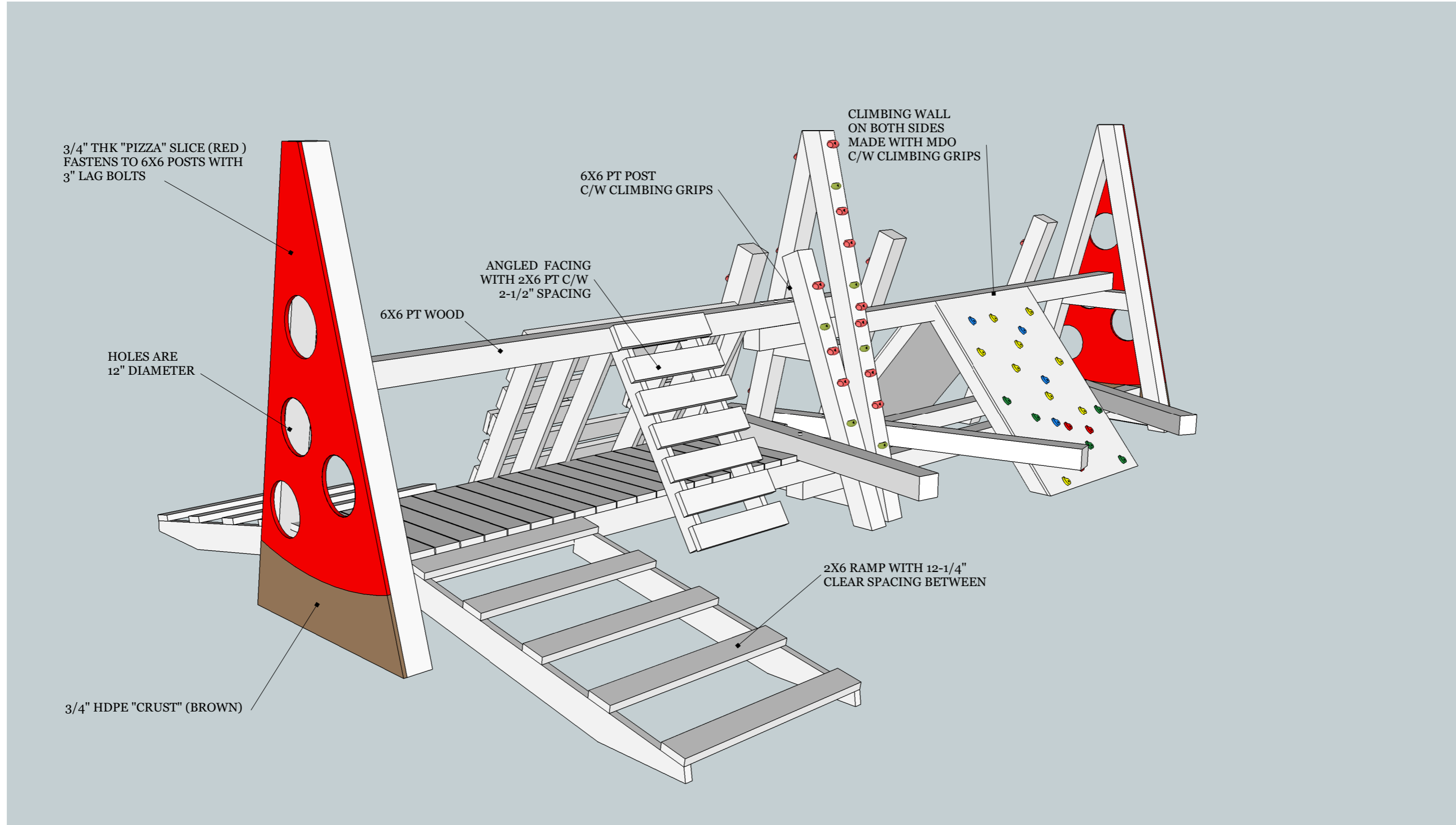
PRODUCTION DESIGNER / JOHN DYKES

DRAWN BY / JOHN KIM

DATE / AUG / 12 / 14

REVISIONS	
MM/DD/YY	REMARKS
1	
2	
3	
4	
5	

A 01



PERSPECTIVE 2

1
02



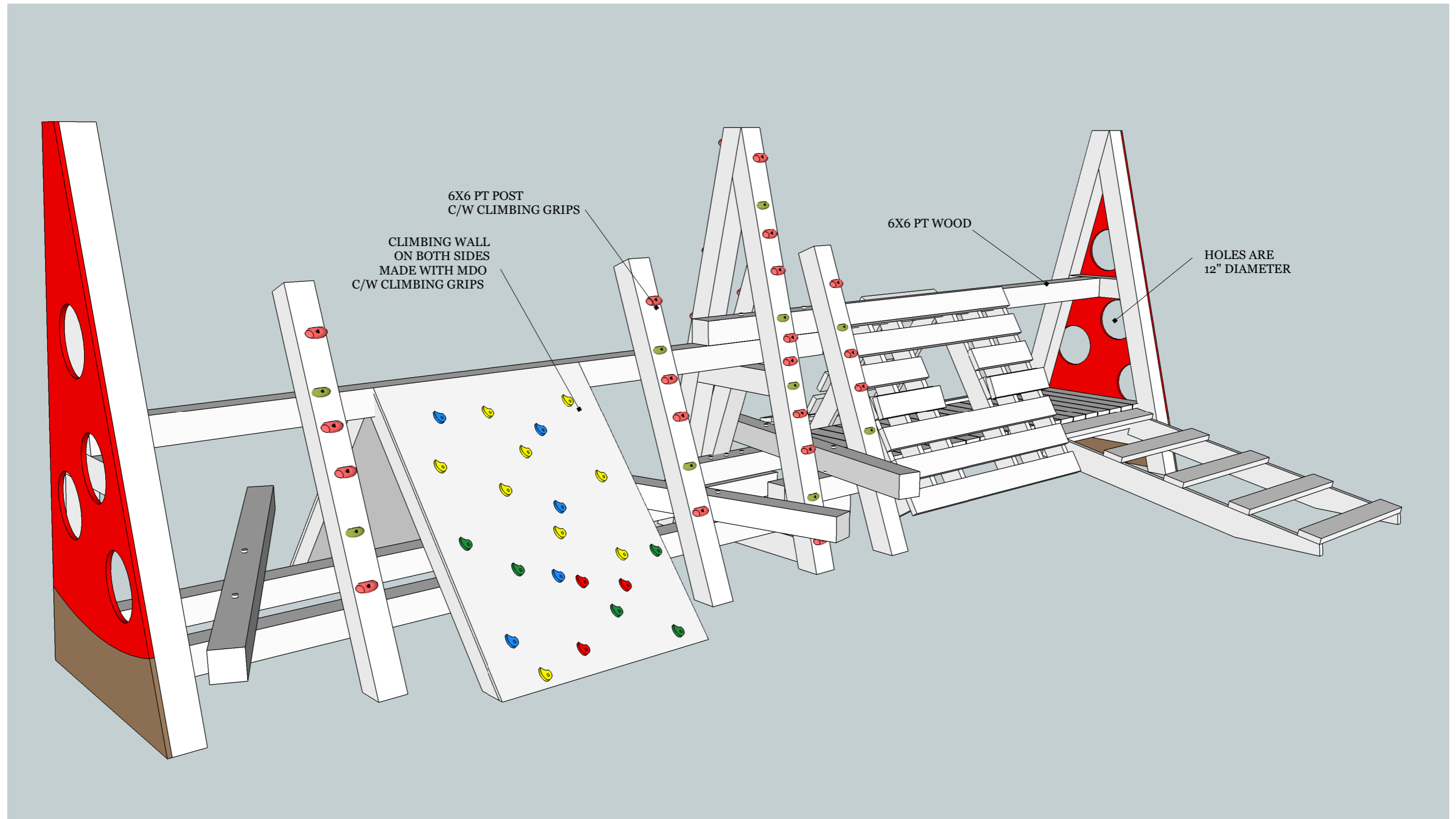
GIVER III
SINKING SHIP ENTERTAINMENT

PROJECT
LEAMINGTON PARK

PRODUCTION DESIGNER / JOHN DYKES
DRAWN BY / JOHN KIM
DATE / AUG / 12 / 14

REVISIONS	
MM/DD/YY	REMARKS
1	
2	
3	
4	
5	

A 02



PERSPECTIVE 3

1
03



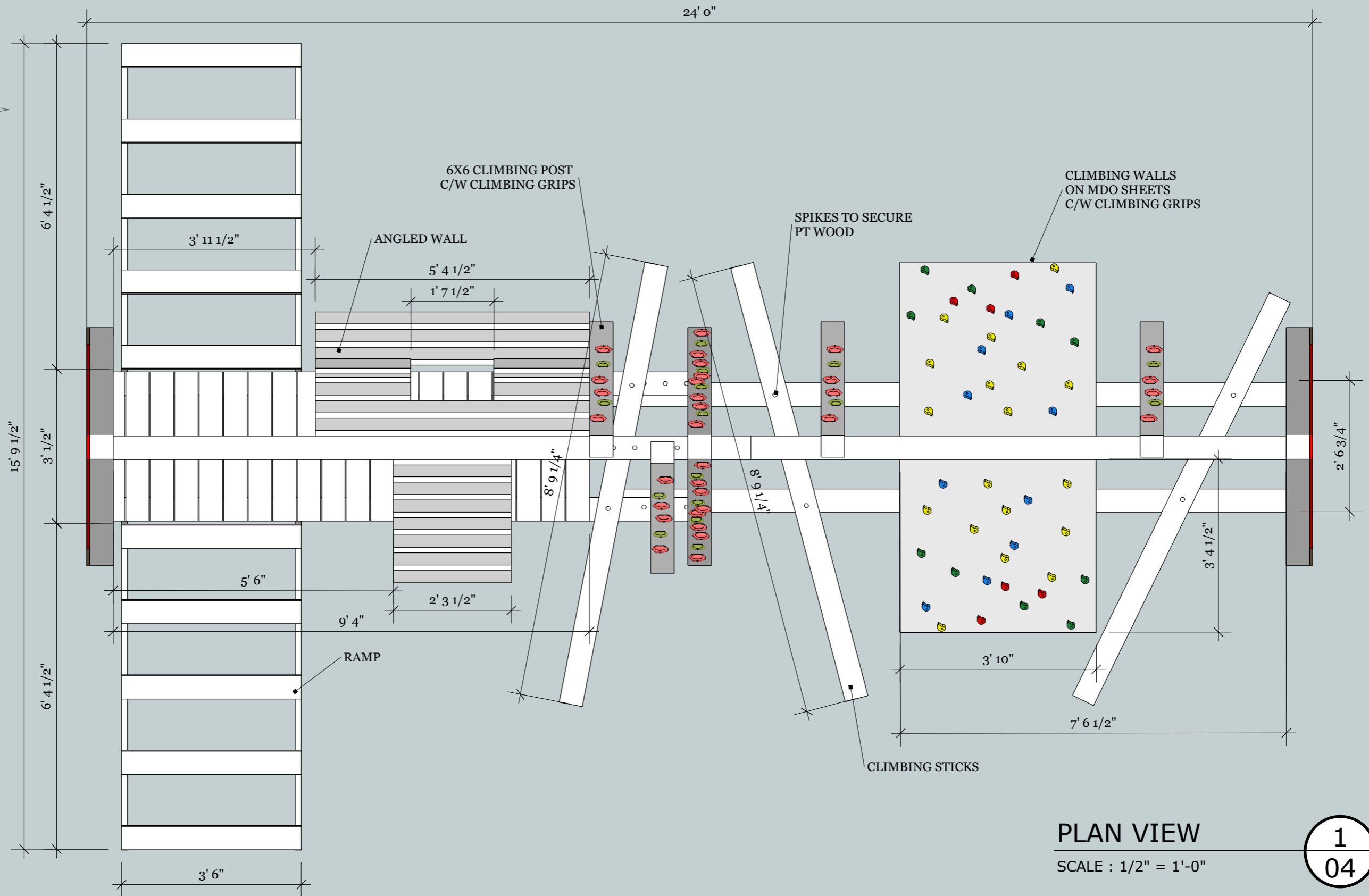
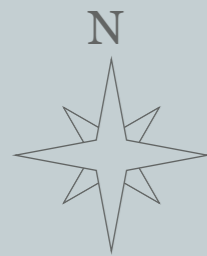
GIVER III
SINKING SHIP ENTERTAINMENT

PROJECT
LEAMINGTON PARK

PRODUCTION DESIGNER / JOHN DYKES
DRAWN BY / JOHN KIM
DATE / AUG / 12 / 14

REVISIONS	
MM/DD/YY	REMARKS
1	
2	
3	
4	
5	

A 03



PLAN VIEW
SCALE : 1/2" = 1'-0"

1
04



GIVER III
SINKING SHIP ENTERTAINMENT

PROJECT
LEAMINGTON PARK

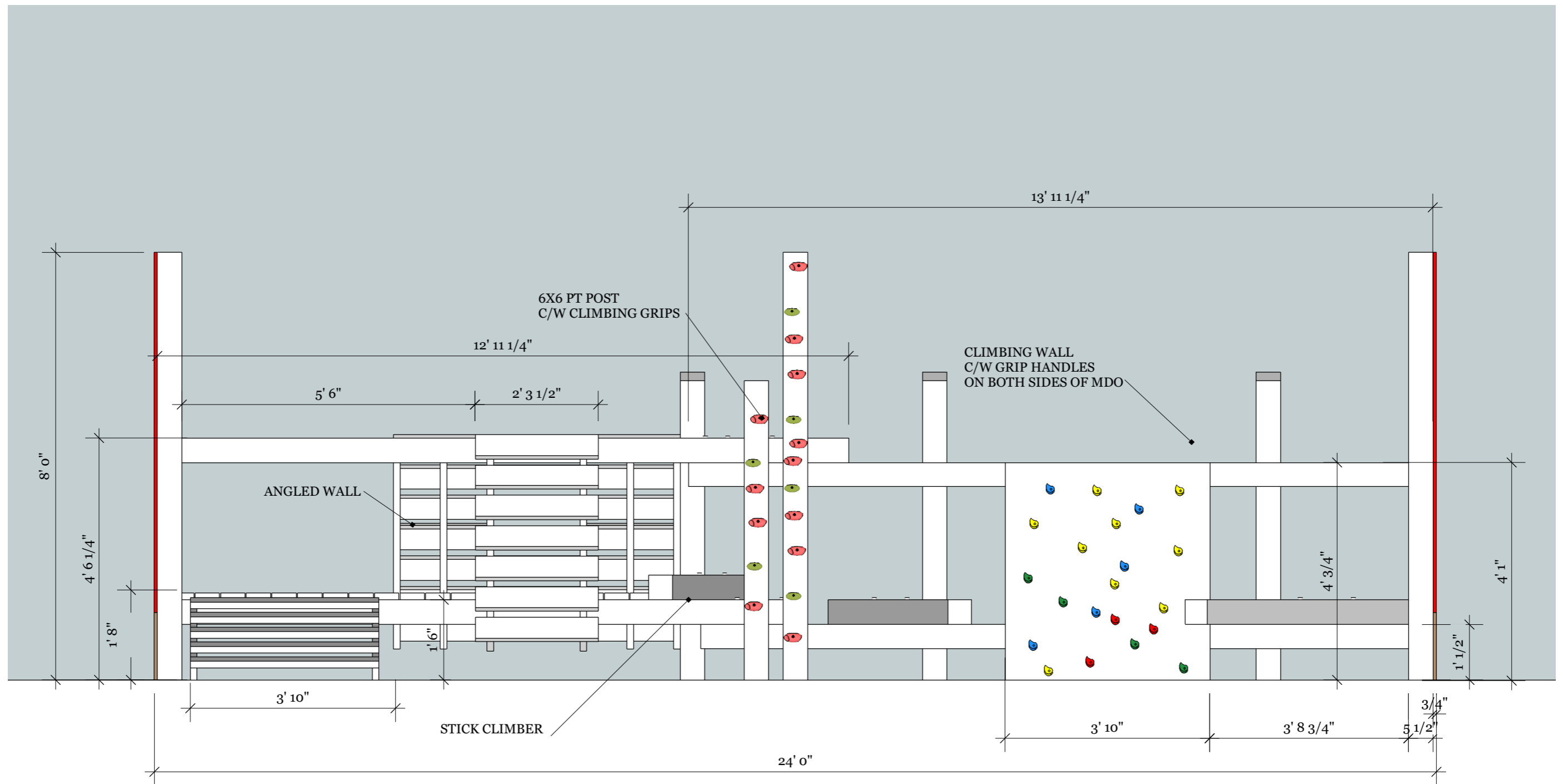
PRODUCTION DESIGNER / JOHN DYKES

DRAWN BY / JOHN KIM

DATE / AUG / 12 / 14

REVISIONS	
MM/DD/YY	REMARKS
1	
2	
3	
4	
5	

A 04



SOUTH ELEVATION

SCALE : 1/2" = 1'-0"

1
05



GIVER III
SINKING SHIP ENTERTAINMENT

PROJECT
LEAMINGTON PARK

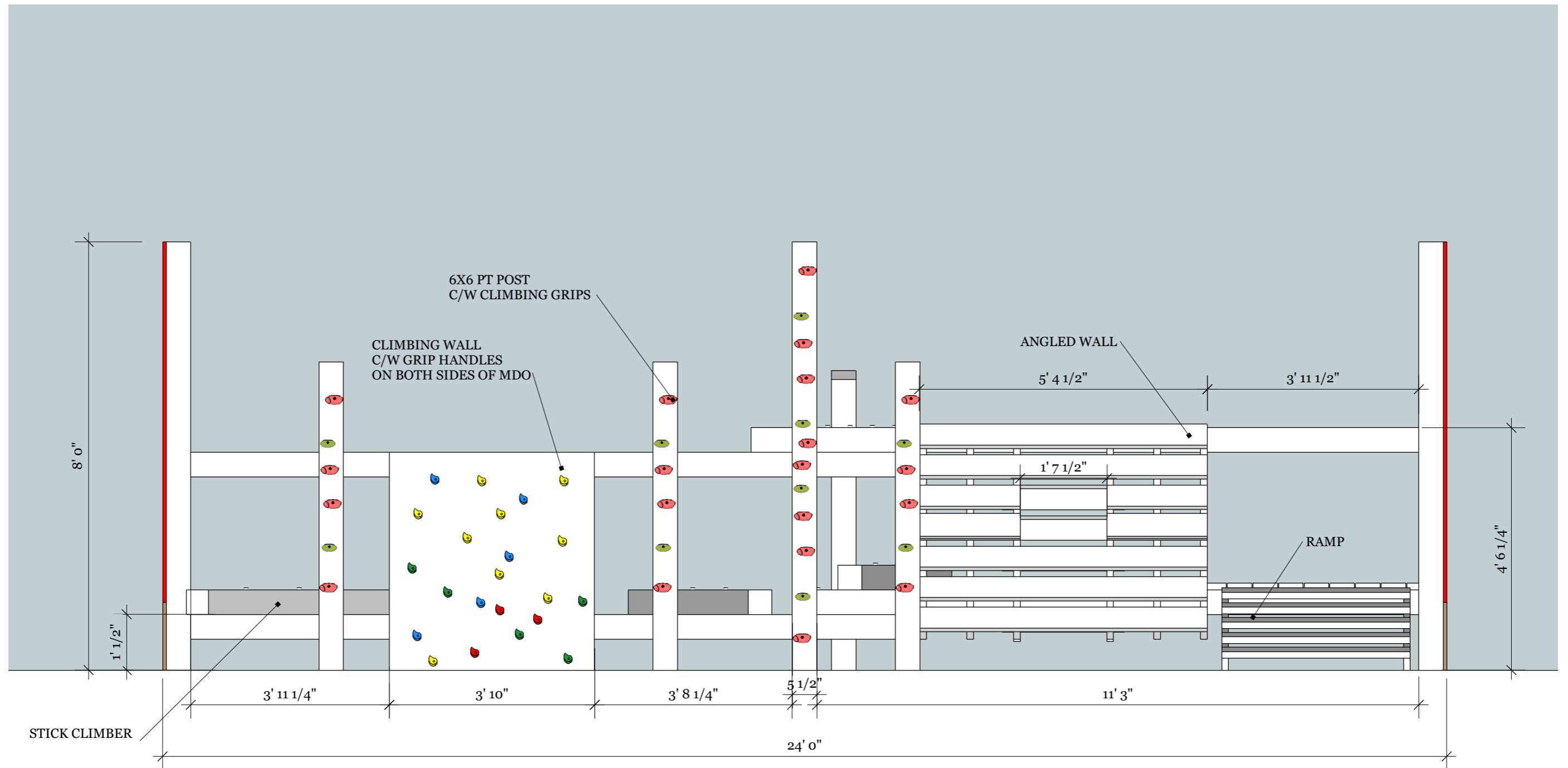
PRODUCTION DESIGNER / JOHN DYKES

DRAWN BY / JOHN KIM

DATE / AUG / 12 / 14

REVISIONS	
MM/DD/YY	REMARKS
1	
2	
3	
4	
5	

A 05



NORTH ELEVATION

SCALE : 1/2" = 1'-0"

1
06



**GIVER III
SINKING SHIP ENTERTAINMENT**

**PROJECT
LEAMINGTON PARK**

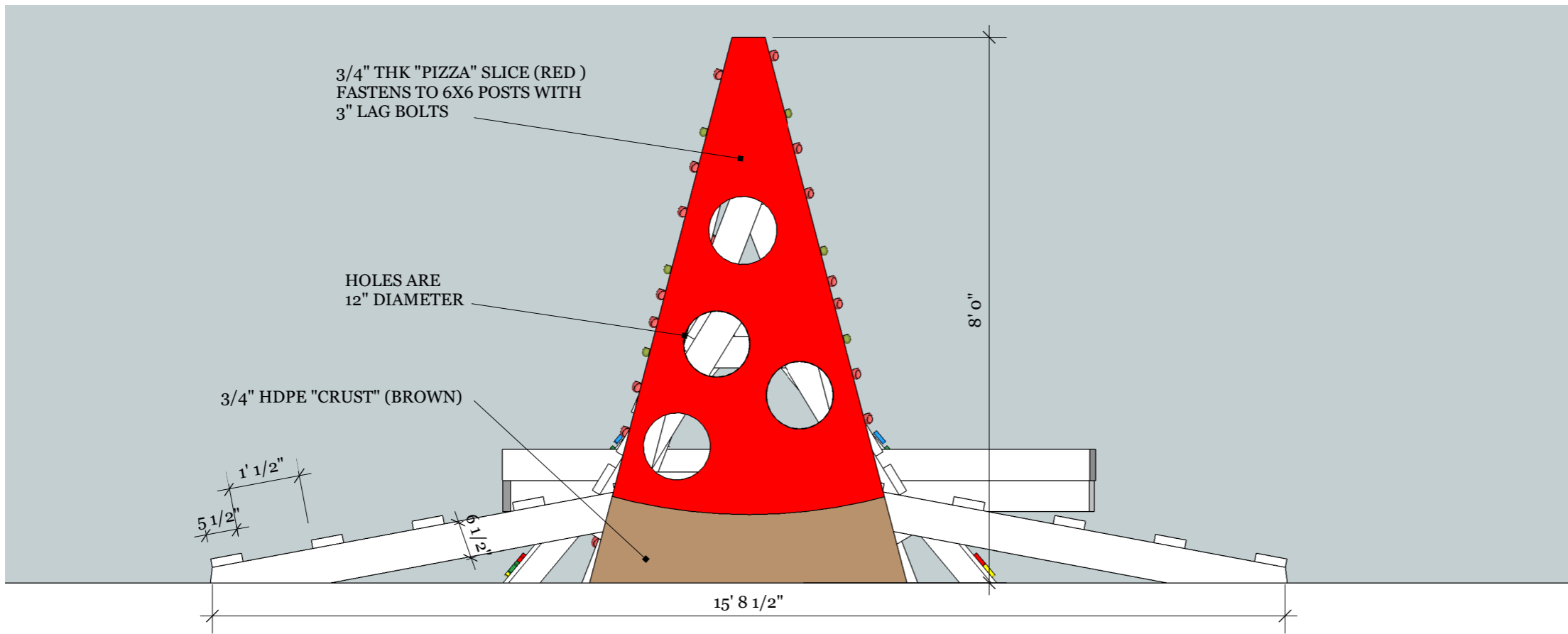
PRODUCTION DESIGNER / JOHN DYKES

DRAWN BY / JOHN KIM

DATE / AUG / 12 / 14

REVISIONS	
MM/DD/YY	REMARKS
1	
2	
3	
4	
5	

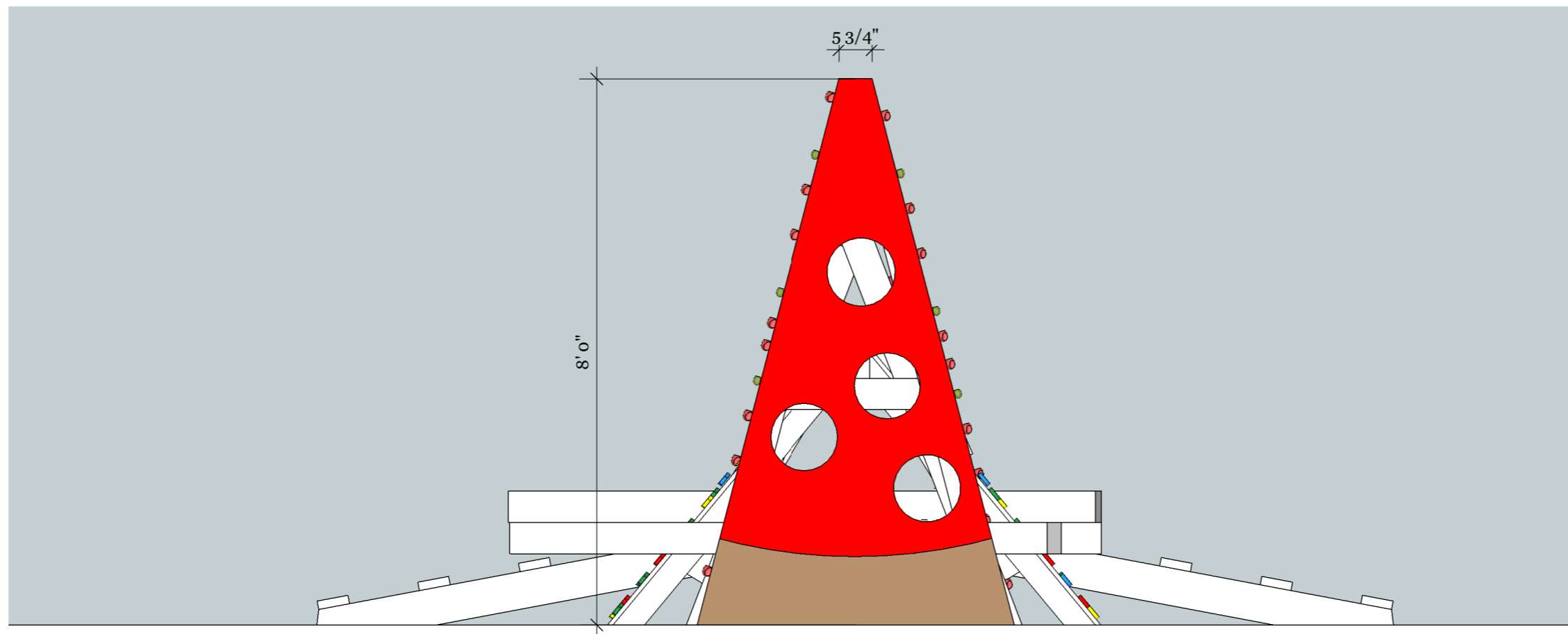
A 06



WEST ELEVATION

SCALE : 1/2" = 1'-0"

1
07



EAST ELEVATION

SCALE : 1/2" = 1'-0"

2
07



GIVER III
SINKING SHIP ENTERTAINMENT

PROJECT
LEAMINGTON PARK

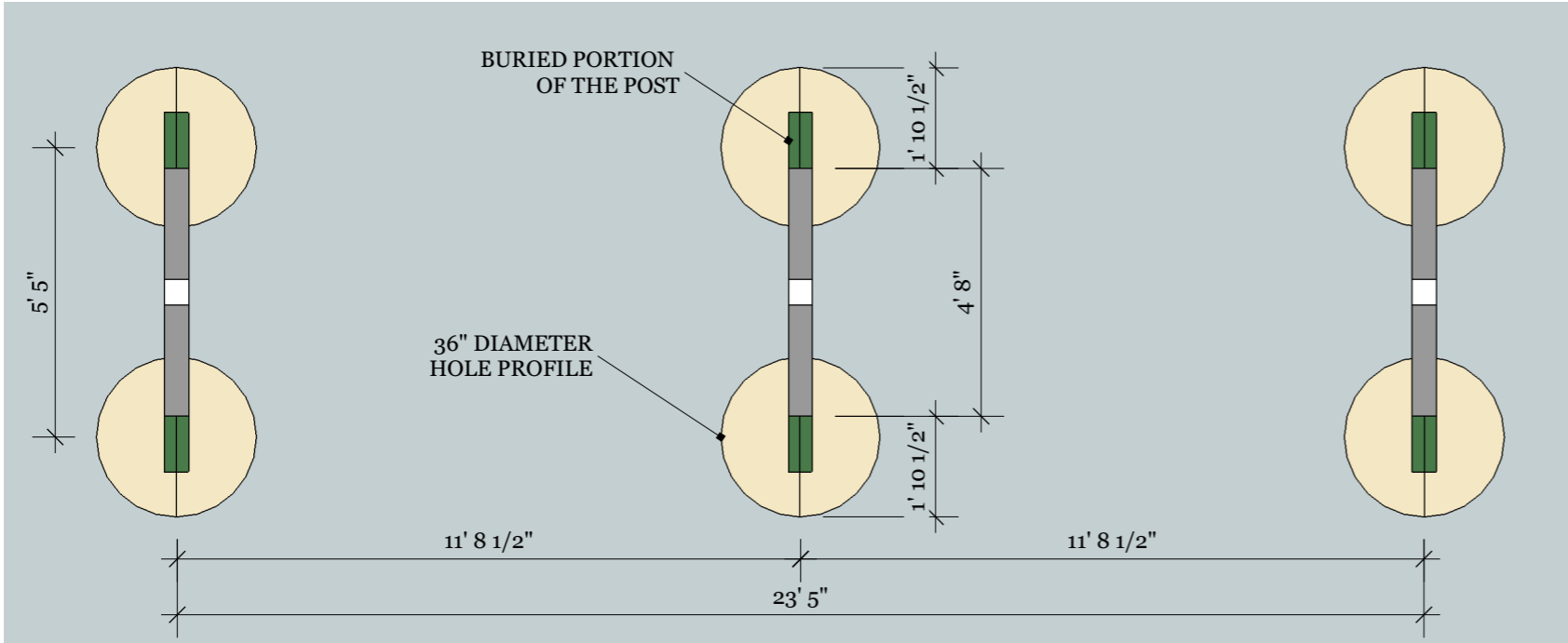
PRODUCTION DESIGNER / JOHN DYKES

DRAWN BY / JOHN KIM

DATE / AUG / 12 / 14

REVISIONS	
MM/DD/YY	REMARKS
1	
2	
3	
4	
5	

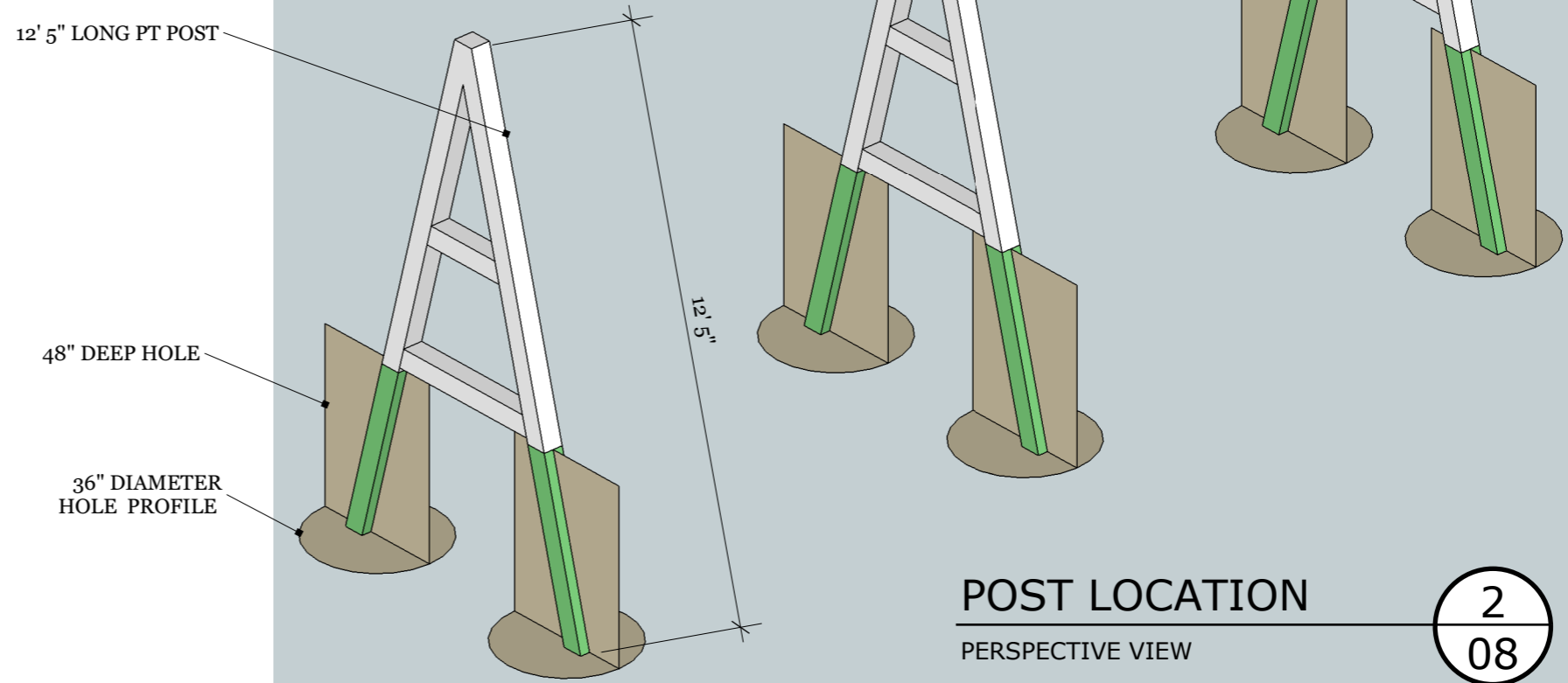
A 07



POST LOCATION

PLAN VIEW

1
08



GIVER III
SINKING SHIP ENTERTAINMENT

PROJECT
LEAMINGTON PARK

PRODUCTION DESIGNER / JOHN DYKES

DRAWN BY / JOHN KIM

DATE / AUG / 12 / 14

REVISIONS	
MM/DD/YY	REMARKS
1	
2	
3	
4	
5	