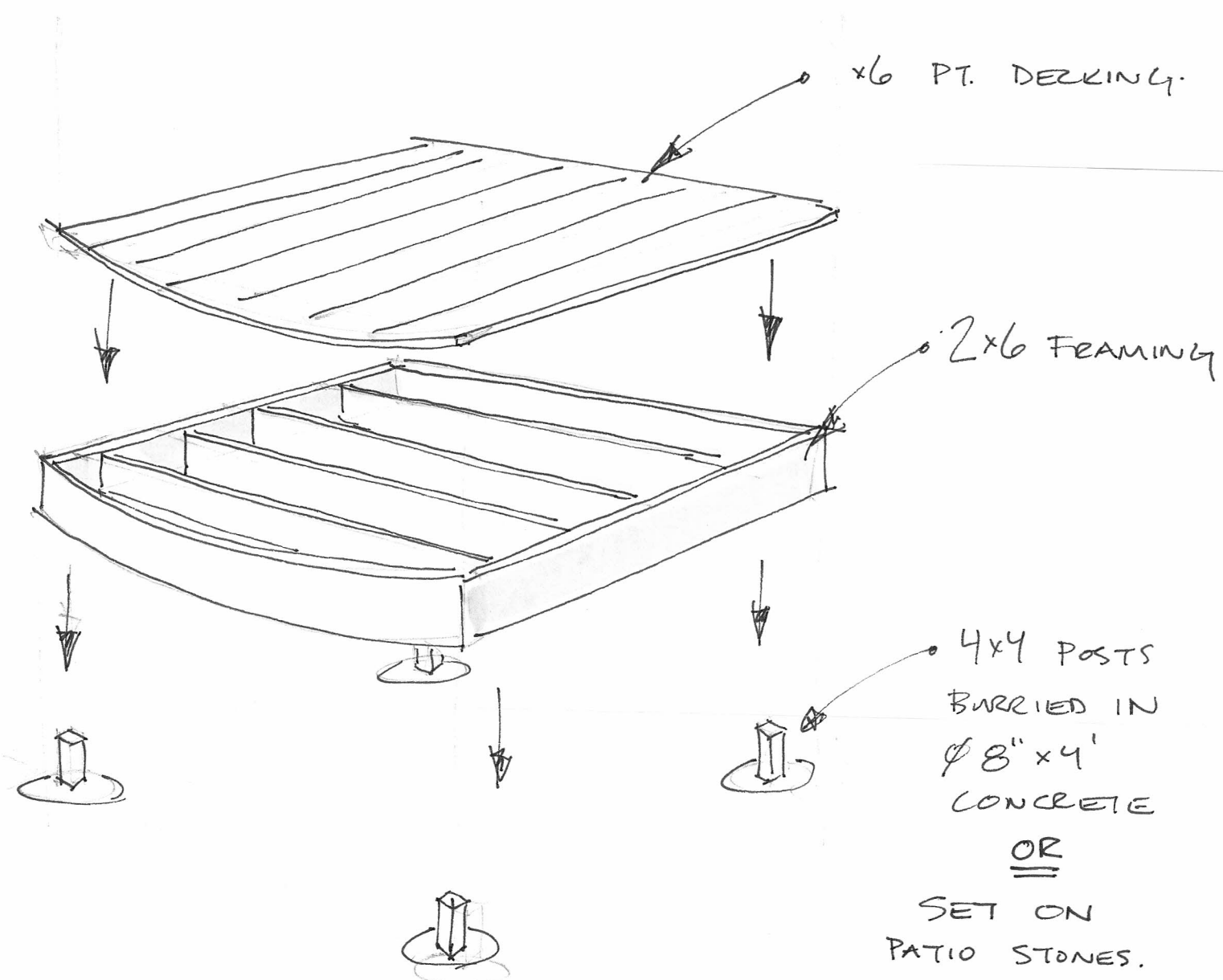
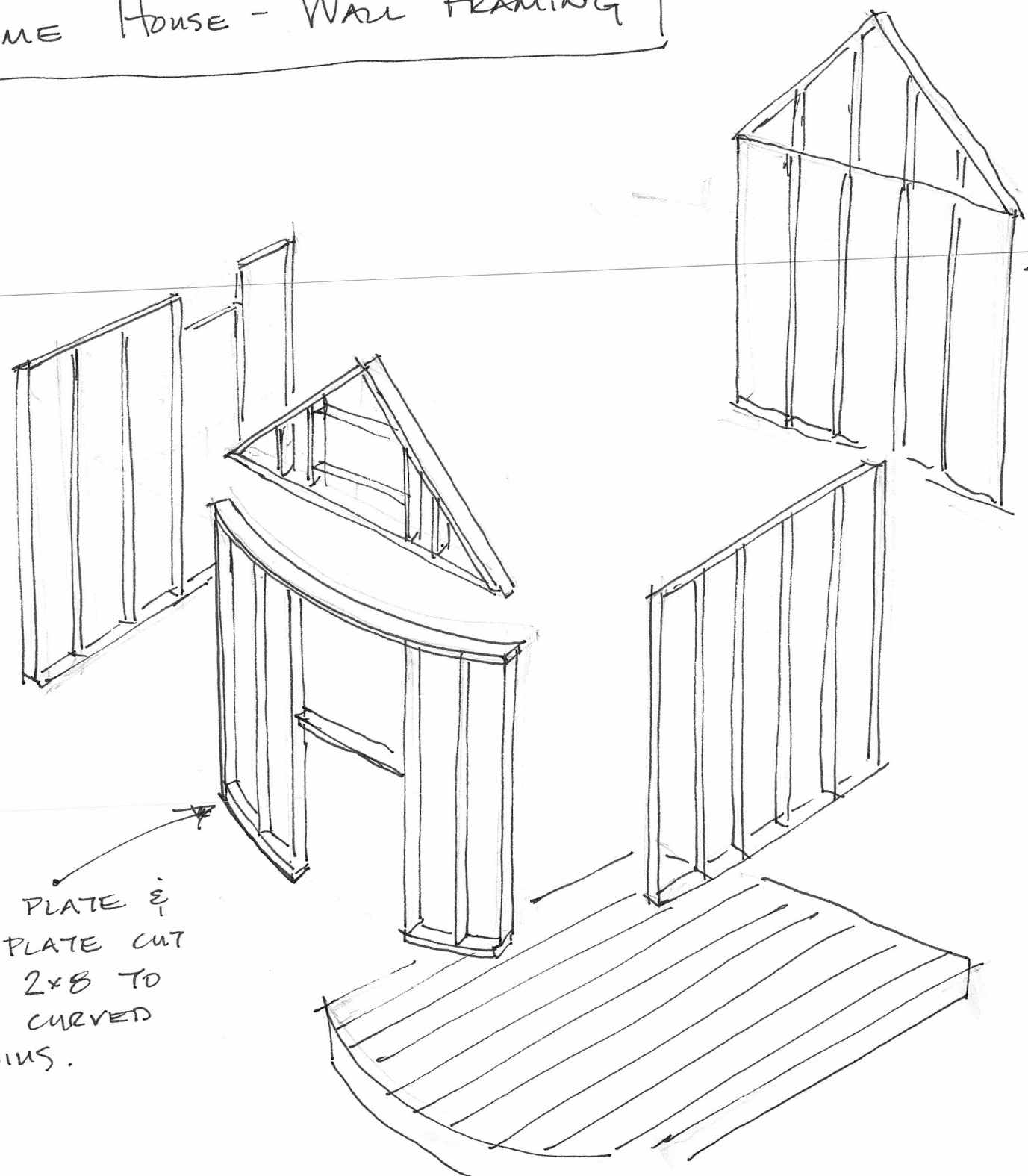


GNOME HOUSE - FLOOR ASSEMBLY.



GNOME HOUSE - WALL FRAMING



TYPICAL
2x4
FRAMING.

SILL PLATE &
TOP PLATE CUT
FROM 2x8 TO
GET CURVED
RADIUS.

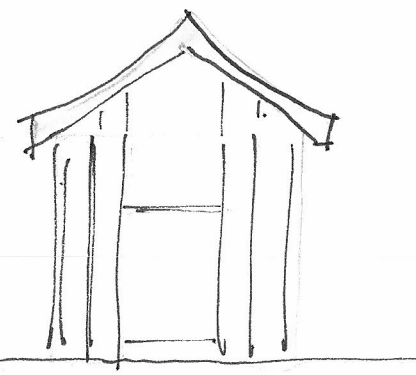
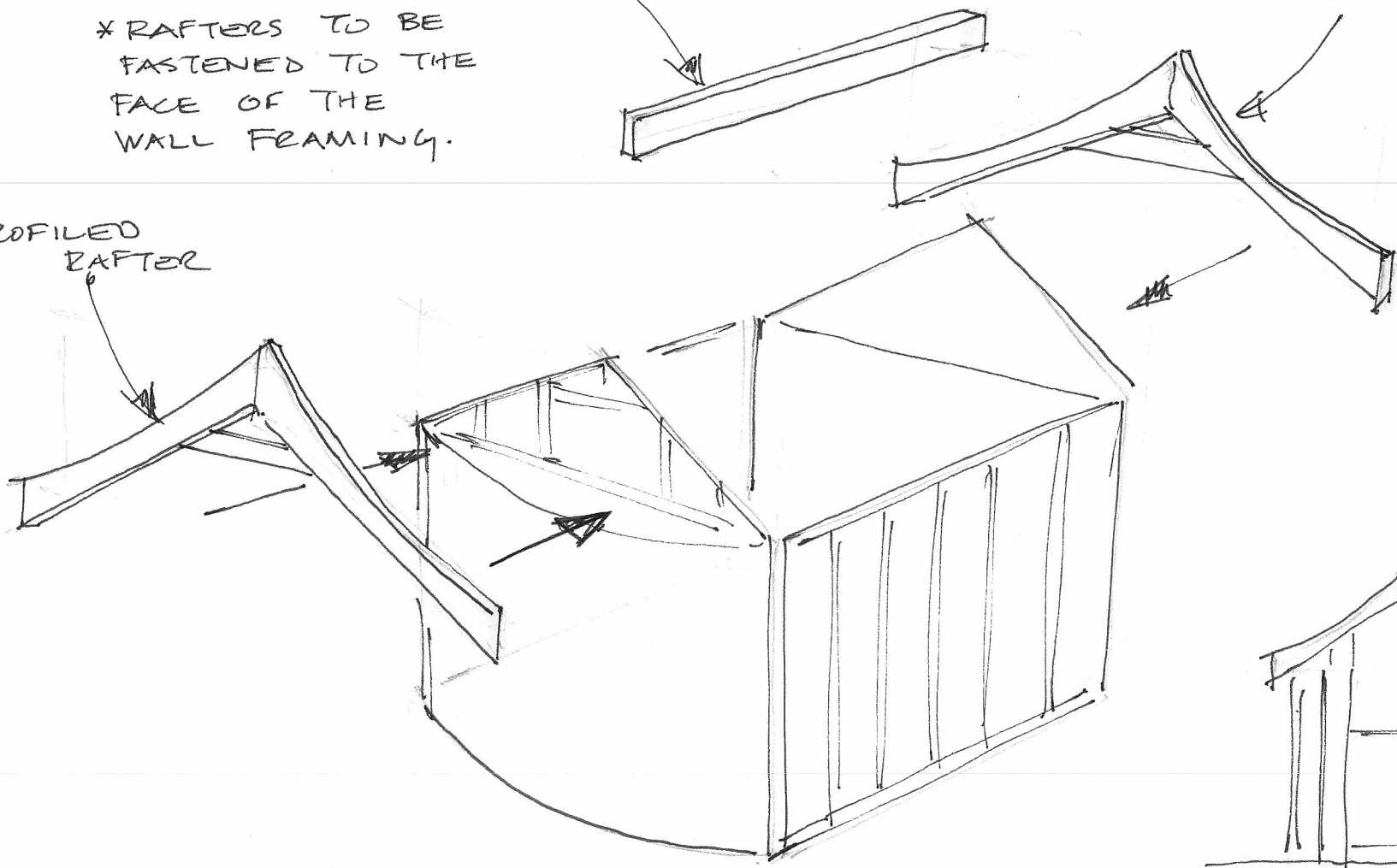
ROOF ASSEMBLY - GNOME HOUSE PART ①

2x10 RIDGEBEAM.

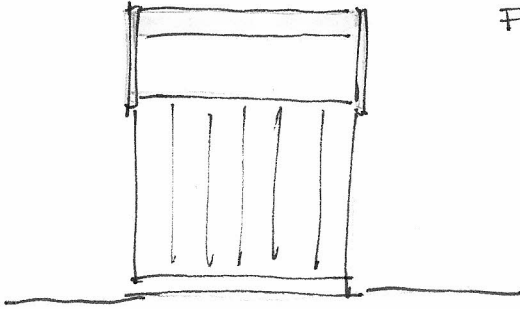
* RAFTERS TO BE FASTENED TO THE FACE OF THE WALL FRAMING.

RAFTER.

PROFILED RAFTER



FRONT

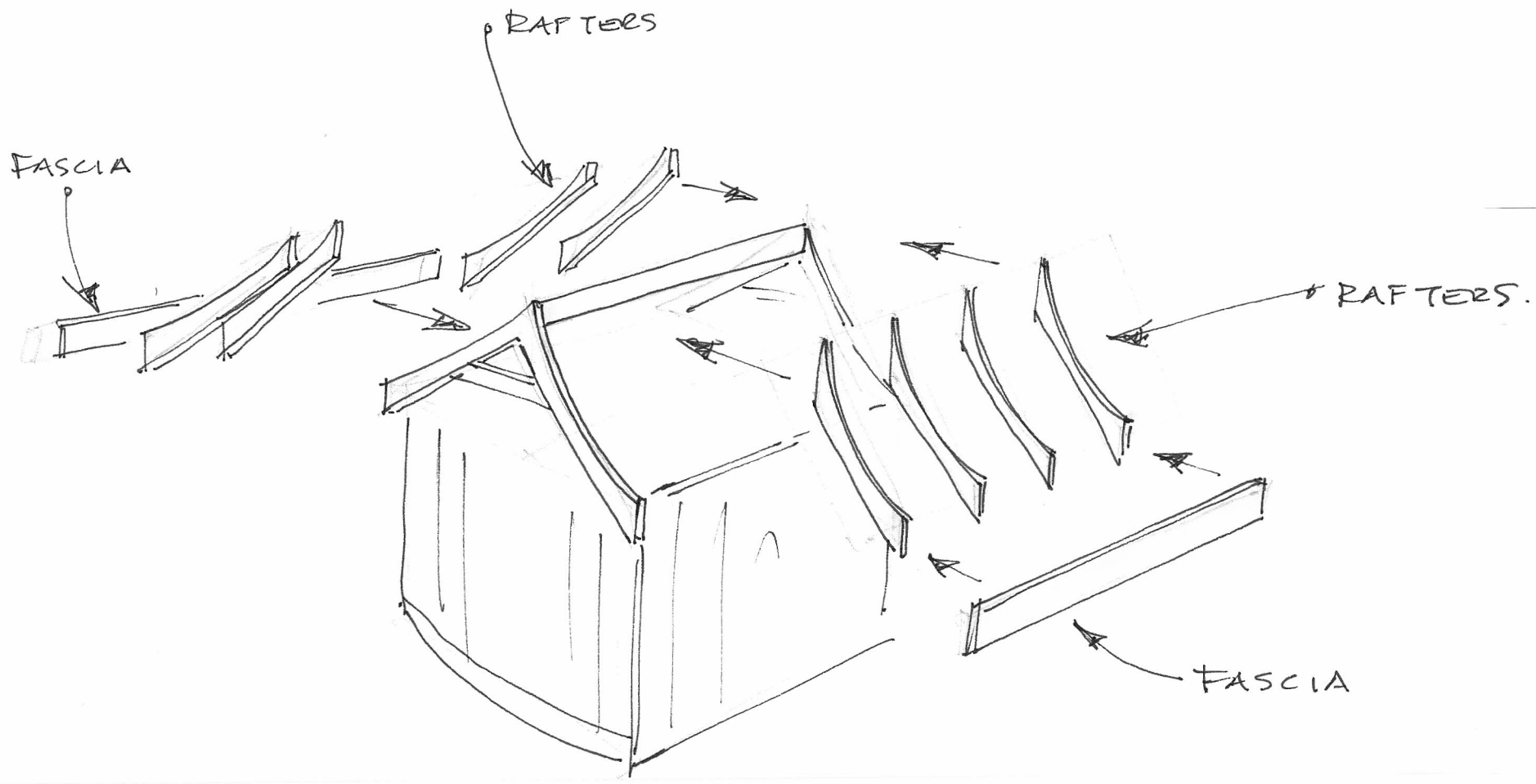


SIDE

8"

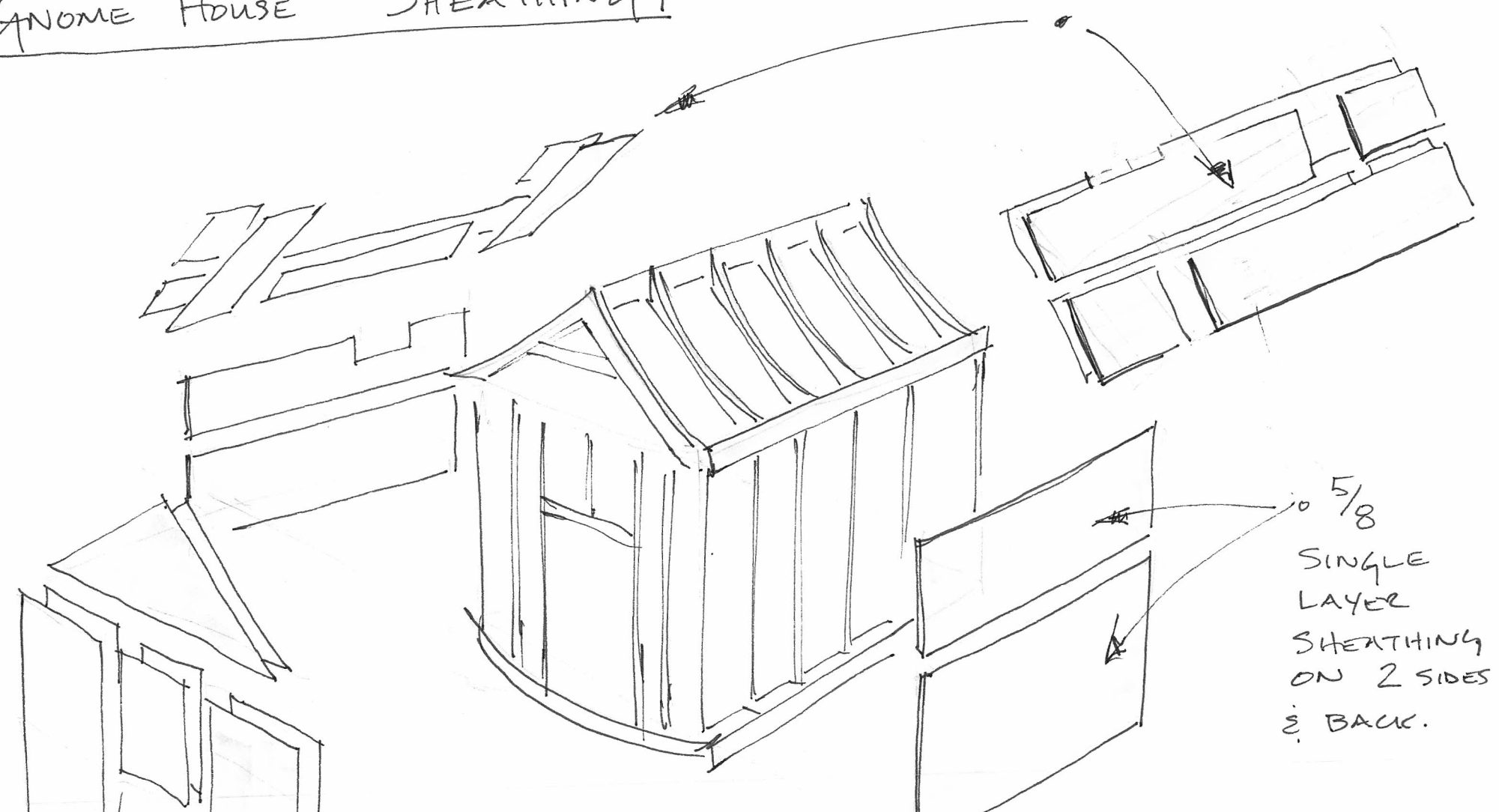
J.D. ③

ROOF ASSEMBLY - GNOME HOUSE PART 2



GNOME HOUSE - SHEATHING

ROOF IS DOUBLE 3/8 PLYWOOD.



5/8
SINGLE
LAYER
SHEATHING
ON 2 SIDES
& BACK.

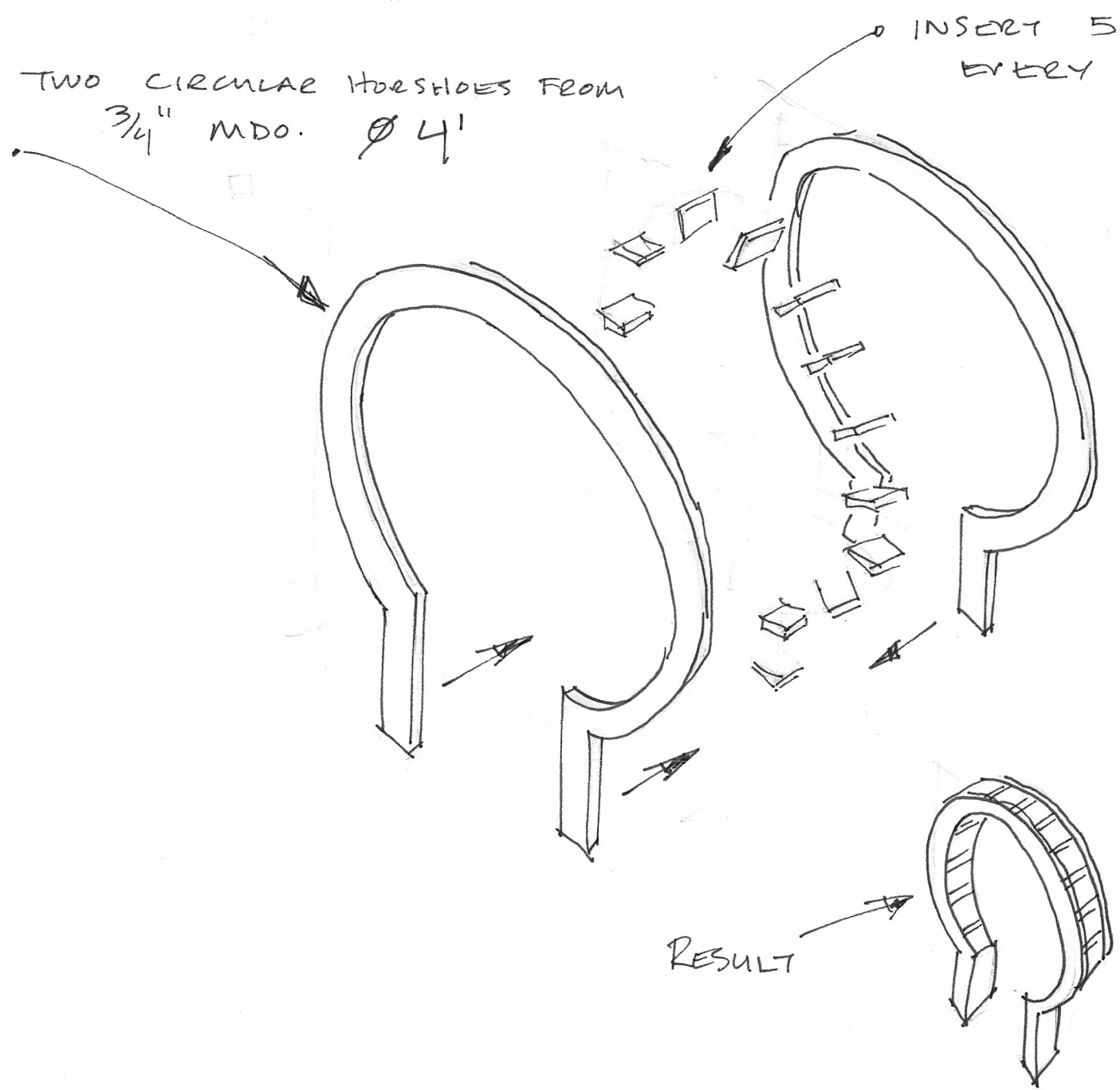
CIRCULAR
OPENING TO
BE ON-SITE CALL

2 LAYERS OF 3/8"
PLYWOOD TO HANDLE
CURVE.

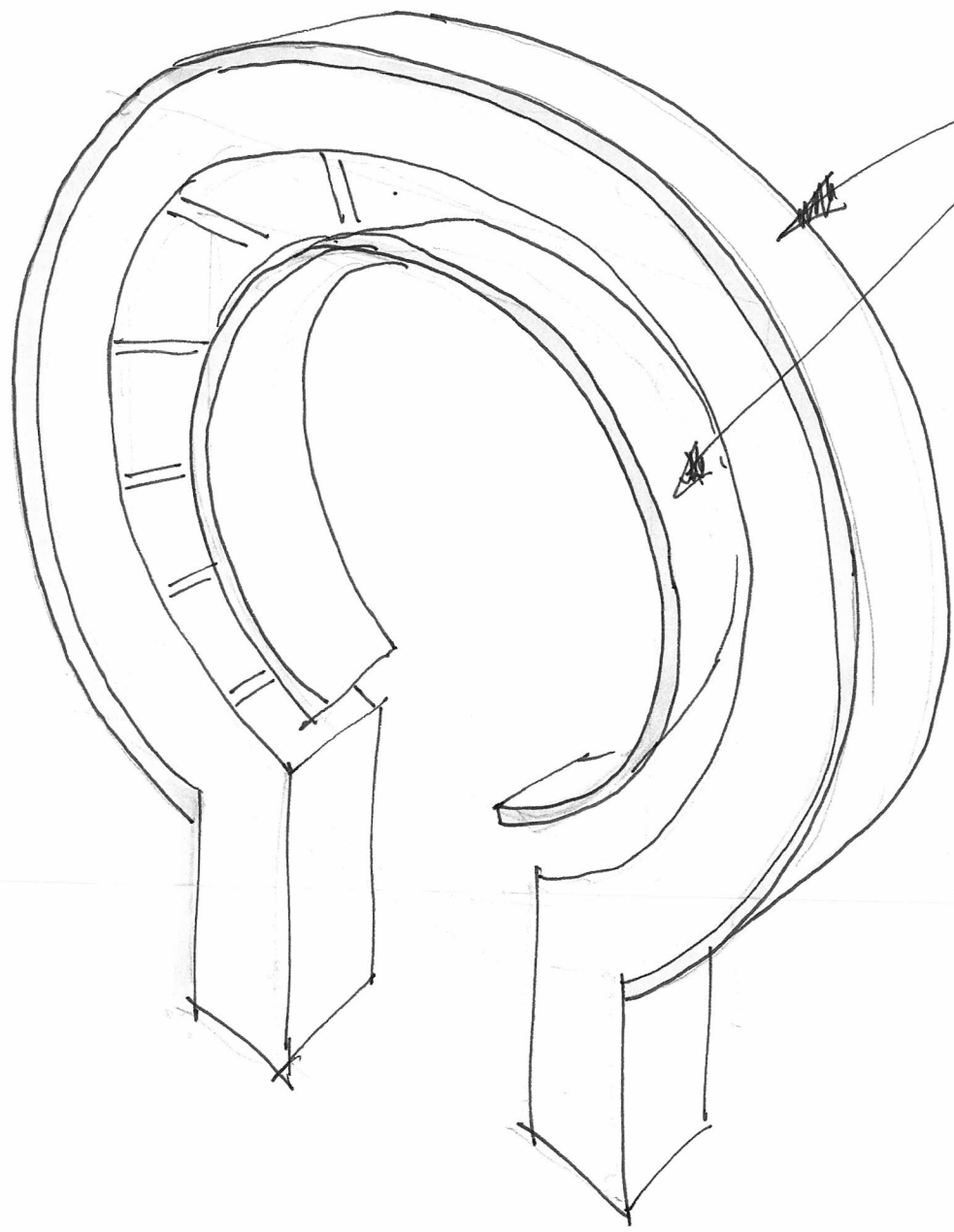
GNOME HOUSE - CIRCULAR DOOR OPENING - PART ①

CUT TWO CIRCULAR HOESHOES FROM
 $\frac{3}{4}$ " MDO. $\phi 4'$

INSERT 5" BLOCKS
EVERY 10"



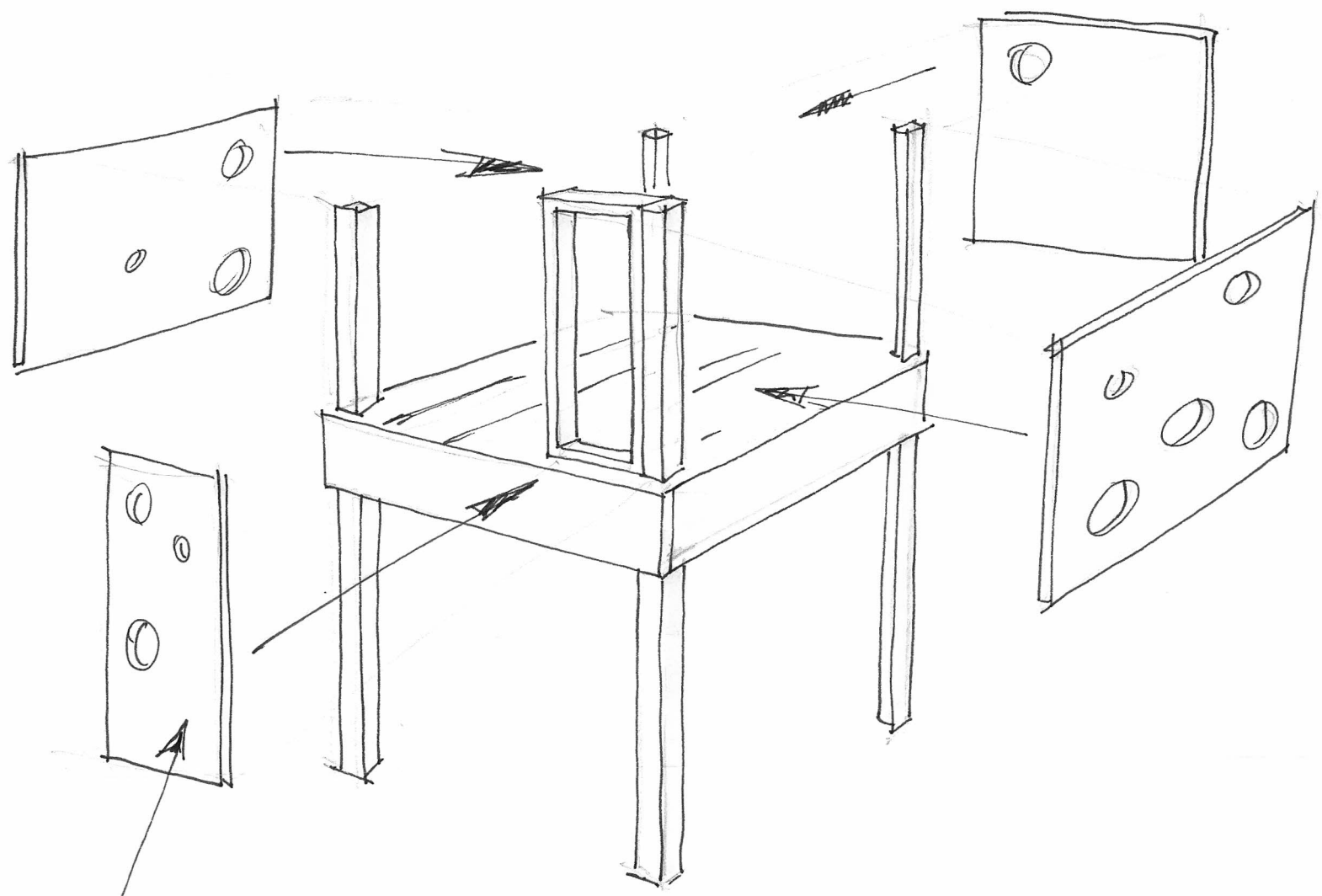
Gnome House - Circular Door Opening - Part 2



WHITE 1" PVC.

* WRAP INSIDE &
OUT OF CIRCLE
w/ 3/4" P.V.C.
BOARD.

GNOME HOUSE - INTERIOR PLATFORM



$\frac{3}{4}$ MDO PANELS - ALL EDGES SANDED & EASED w/ $\frac{1}{4}$ " ROUNDOVER.