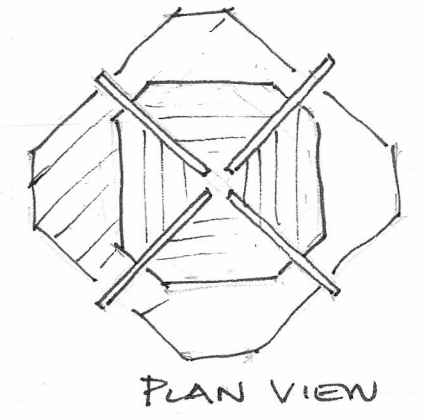
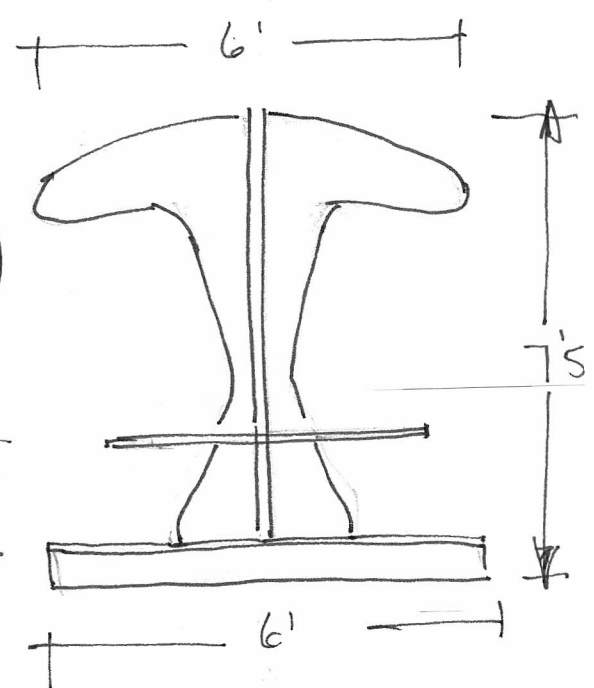
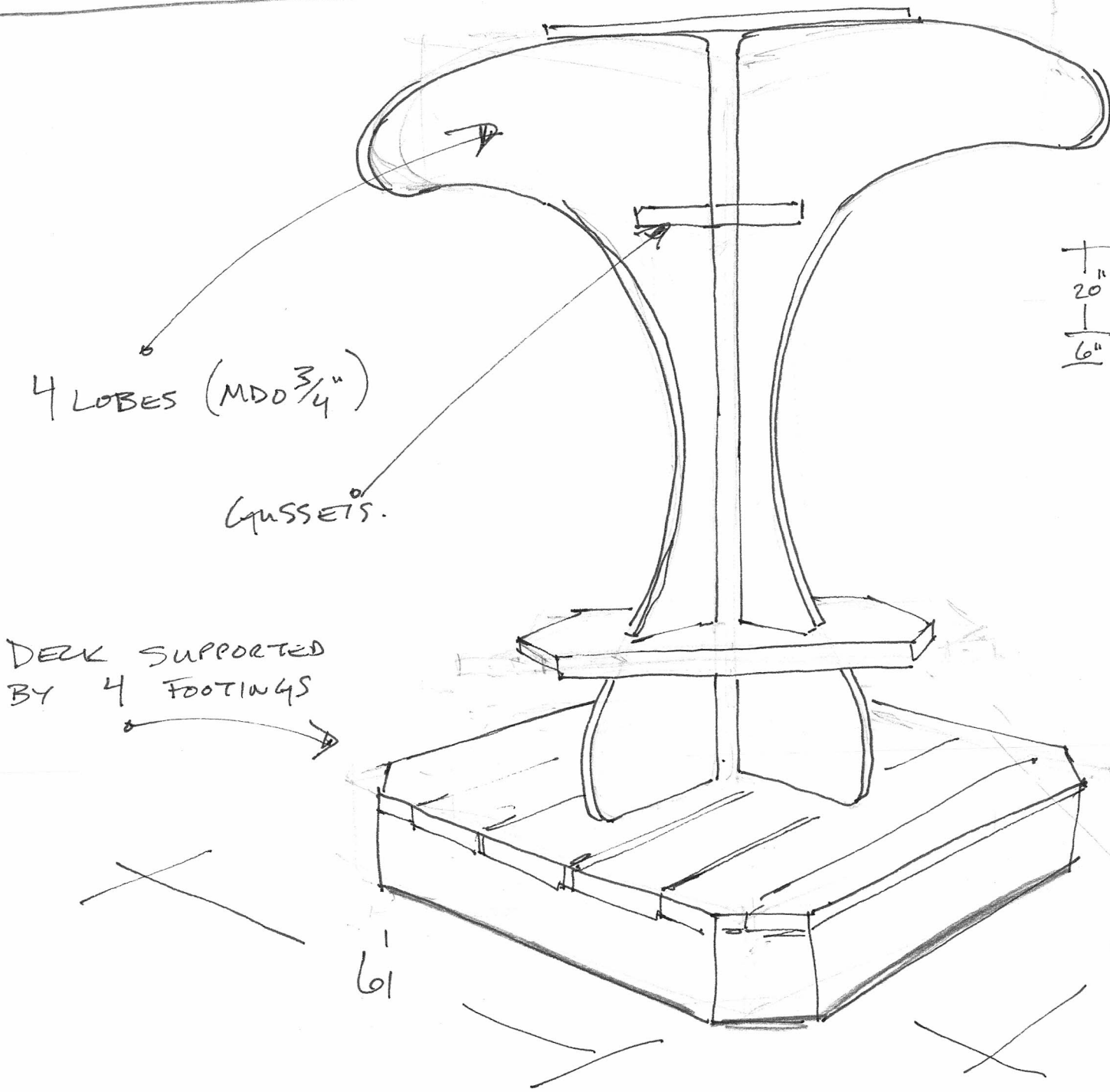


Mushroom Bench V2



DECK SUPPORTED BY 4 FOOTINGS

MUSHROOM BENCH V2

- BASE SECTION

MUSHROOM

BASE SECTION

DECK FASTENED
WITH GALVANIZED "L"
BRACKETS &
EXPANSION BOLTS.

UPRIGHT LOBES
SCREWS TO
FRAMING BELOW
DECK LEVEL

CONCRETE
FOOTINGS
 $\phi 8'' \times 4'$ (x4).

