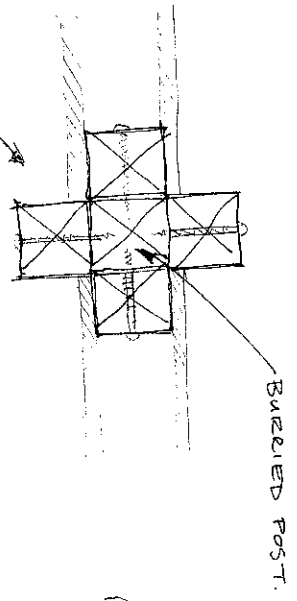
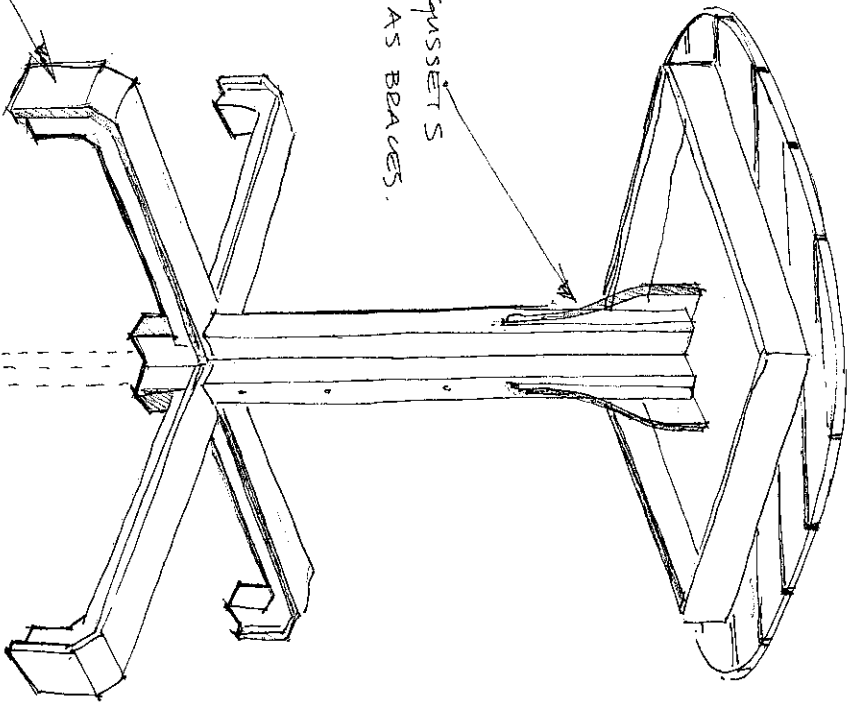


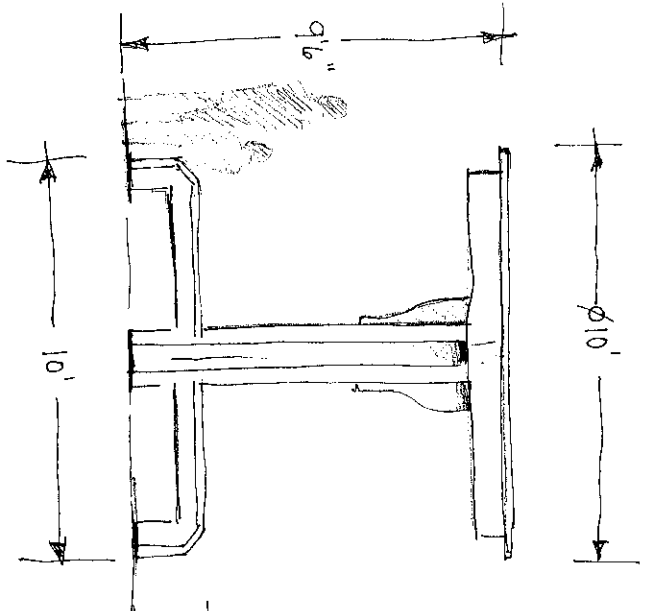
GIGANT TABLE



OUTSIDE 4x6 POSTS TO BE LAY BOLTED TO CENTRE POST OR CLAMPED w/ THREADED ROD ALL THE

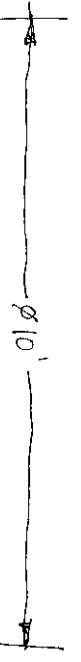


2"x12" BOARDS ON TOP OF 6"x6" PT. TO CREATE BENCHES.

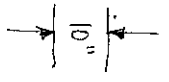


CENTRE POST IS BURIED 4' IN SONOTUBE & CONCRETE

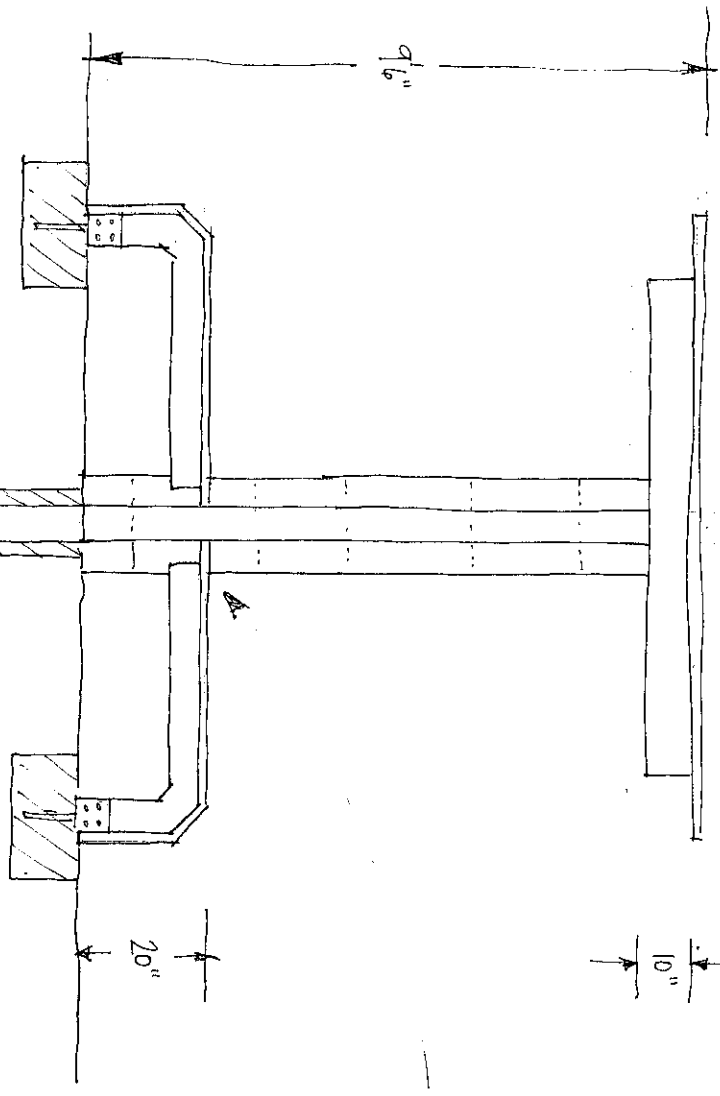
SINKING SHIP ENTERTAINMENT
2/7/13



GIANT TABLE

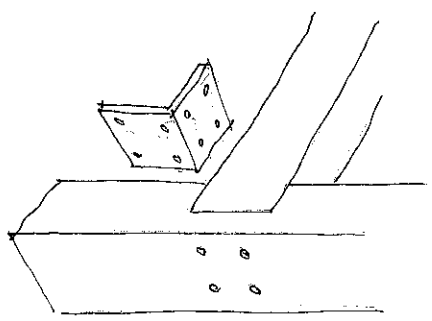


16"

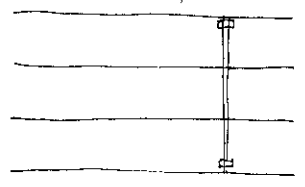


Ø 12" x 4' SONOTUBE w/ CONCRETE.

Ø 18" x 18" x 12" DEEP PAD.



DADO JOINT, BUTTER FROM BACK, L-BRACKET BELOW



SINKING SHIP ENTERTAINMENT 2/7/13